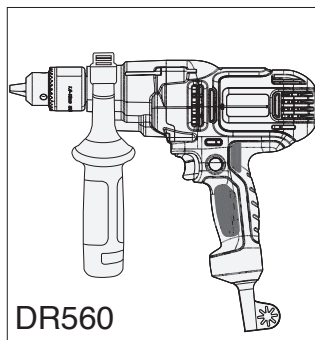
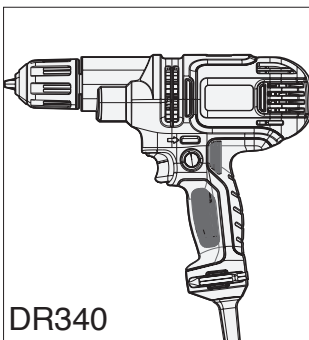
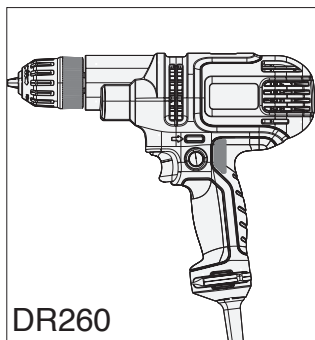




**3/8 in. (10MM) and
1/2 in. (13MM) DRILLS**

INSTRUCTION MANUAL



Catalog Numbers DR260, DR340, DR560

**Thank you for choosing Black & Decker!
Go to www.BlackandDecker.com/NewOwner
to register your new product.**

PLEASE READ BEFORE RETURNING THIS PRODUCT FOR ANY REASON:

If you have a question or experience a problem with your Black & Decker purchase, go to
[HTTP://WWW.BLACKANDDECKER.COM/INSTANTANSWERS](http://WWW.BLACKANDDECKER.COM/INSTANTANSWERS)
for instant answers 24 hours a day.

If you can't find the answer or do not have access to the internet,
call 1-800-544-6986 from 8 a.m. to 5 p.m. EST Mon. -- Fri. to speak with an agent.

Please have the catalog number available when you call.

SAVE THIS INSTRUCTION MANUAL FOR FUTURE REFERENCE.

VEA EL ESPA—OL EN LA CONTRAPORTADA.

INSTRUCTIVO DE OPERACIÓN, CENTROS DE SERVICIO Y PÓLIZA DE GARANTÍA.
ADVERTENCIA: LÉASE ESTE INSTRUCTIVO ANTES DE USAR EL PRODUCTO.

SAFETY GUIDELINES - DEFINITIONS

It is important for you to read and understand this manual. The information it contains relates to protecting YOUR SAFETY and PREVENTING PROBLEMS. The symbols below are used to help you recognize this information.

⚠ DANGER: Indicates an imminently hazardous situation which, if not avoided, will result in death or serious injury.

⚠ WARNING: Indicates a potentially hazardous situation which, if not avoided, could result in death or serious injury.

⚠ CAUTION: Indicates a potentially hazardous situation which, if not avoided, may result in minor or moderate injury.

NOTICE: Used without the safety alert symbol indicates potentially hazardous situation which, if not avoided, may result in property damage.

General Safety Rules

⚠ WARNING: Read all safety warnings and all instructions. *Failure to follow the warnings and instructions may result in electric shock, fire and/or serious injury.*

SAVE ALL WARNINGS AND INSTRUCTIONS FOR FUTURE REFERENCE

The term "power tool" in the warnings refers to your mains-operated (corded) power tool or battery-operated (cordless) power tool.

SAVE THESE INSTRUCTIONS

1) WORK AREA SAFETY

- a) **Keep work area clean and well lit.** *Cluttered or dark areas invite accidents.*
- b) **Do not operate power tools in explosive atmospheres, such as in the presence of flammable liquids, gases or dust.** *Power tools create sparks which may ignite the dust or fumes.*
- c) **Keep children and bystanders away while operating a power tool.** *Distractions can cause you to lose control.*

2) ELECTRICAL SAFETY

- a) **Power tool plugs must match the outlet. Never modify the plug in any way. Do not use any adapter plugs with earthed (grounded) power tools.** *Unmodified plugs and matching outlets will reduce risk of electric shock.*
- b) **Avoid body contact with earthed or grounded surfaces such as pipes, radiators, ranges and refrigerators.** *There is an increased risk of electric shock if your body is earthed or grounded.*
- c) **Do not expose power tools to rain or wet conditions.** *Water entering a power tool will increase the risk of electric shock.*
- d) **Do not abuse the cord. Never use the cord for carrying, pulling or unplugging the power tool. Keep cord away from heat, oil, sharp edges or moving parts.** *Damaged or entangled cords increase the risk of electric shock.*
- e) **When operating a power tool outdoors, use an extension cord suitable for outdoor use.** *Use of a cord suitable for outdoor use reduces the risk of electric shock.*
- f) **If operating a power tool in a damp location is unavoidable, use a ground fault circuit interrupter (GFCI) protected supply.** *Use of a GFCI reduces the risk of electric shock.*

3) PERSONAL SAFETY

- a) **Stay alert, watch what you are doing and use common sense when operating a power tool. Do not use a power tool while you are tired or under the influence of drugs, alcohol or medication.** *A moment of inattention while operating power tools may result in serious personal injury.*
- b) **Use personal protective equipment. Always wear eye protection.** *Protective equipment such as dust mask, nonskid safety shoes, hard hat, or hearing protection used for appropriate conditions will reduce personal injuries.*

- c) **Prevent unintentional starting.** Ensure the switch is in the off position before connecting to power source and/ or battery pack, picking up or carrying the tool. *Carrying power tools with your finger on the switch or energizing power tools that have the switch on invites accidents.*
- d) **Remove any adjusting key or wrench before turning the power tool on.** *A wrench or a key left attached to a rotating part of the power tool may result in personal injury.*
- e) **Do not overreach. Keep proper footing and balance at all times.** *This enables better control of the power tool in unexpected situations.*
- f) **Dress properly. Do not wear loose clothing or jewelry. Keep your hair, clothing and gloves away from moving parts.** *Loose clothes, jewelry or long hair can be caught in moving parts.*
- g) **If devices are provided for the connection of dust extraction and collection facilities, ensure these are connected and properly used.** *Use of dust collection can reduce dust-related hazards.*

4) POWER TOOL USE AND CARE

- a) **Do not force the power tool. Use the correct power tool for your application.** *The correct power tool will do the job better and safer at the rate for which it was designed.*
- b) **Do not use the power tool if the switch does not turn it on and off.** *Any power tool that cannot be controlled with the switch is dangerous and must be repaired.*
- c) **Disconnect the plug from the power source and/or the battery pack from the power tool before making any adjustments, changing accessories, or storing power tools.** *Such preventive safety measures reduce the risk of starting the power tool accidentally.*
- d) **Store idle power tools out of the reach of children and do not allow persons unfamiliar with the power tool or these instructions to operate the power tool.** *Power tools are dangerous in the hands of untrained users.*
- e) **Maintain power tools. Check for misalignment or binding of moving parts, breakage of parts and any other condition that may affect the power tool's operation. If damaged, have the power tool repaired before use.** *Many accidents are caused by poorly maintained power tools.*
- f) **Keep cutting tools sharp and clean.** *Properly maintained cutting tools with sharp cutting edges are less likely to bind and are easier to control.*
- g) **Use the power tool, accessories and tool bits, etc. in accordance with these instructions, taking into account the working conditions and the work to be performed.** *Use of the power tool for operations different from those intended could result in a hazardous situation.*

5) SERVICE

- a) **Have your power tool serviced by a qualified repair person using only identical replacement parts.** *This will ensure that the safety of the power tool is maintained.*

SPECIFIC SAFETY RULES

- **Hold power tool by insulated gripping surfaces, when performing an operation where the cutting accessory may contact hidden wiring or its own cord.** *Cutting accessory contacting a "live" wire may make exposed metal parts of the power tool "live" and could give the operator an electric shock.*
- **Use clamps or another practical way to secure and support the work piece to a stable platform.** *Holding the work by hand or against your body leaves it unstable and may lead to loss of control.*
- **Wear ear protectors with impact drills.** *Exposure to noise can cause hearing loss.*
- **Use auxiliary handles supplied with the tool.** *Loss of control can cause personal injury.*
- **Keep your hair, clothing, and gloves away from air vents.** *Air vents often cover moving parts in which these items can be caught.*
- **Hold tool firmly with two hands (see figure A).** *Use auxiliary handle if provided. Loss of control can cause personal injury.*

⚠ WARNING: Some dust created by power sanding, sawing, grinding, drilling, and other construction activities contains chemicals known to the State of California to cause cancer, birth defects or other reproductive harm. Some examples of these chemicals are:

- lead from lead-based paints,
- crystalline silica from bricks and cement and other masonry products, and
- arsenic and chromium from chemically-treated lumber.

Your risk from these exposures varies, depending on how often you do this type of work. To reduce your exposure to these chemicals: work in a well ventilated area, and work with approved safety equipment, such as those dust masks that are specially designed to filter out microscopic particles.

- **Avoid prolonged contact with dust from power sanding, sawing, grinding, drilling, and other construction activities. Wear protective clothing and wash exposed areas with soap and water.** Allowing dust to get into your mouth, eyes, or lay on the skin may promote absorption of harmful chemicals.

⚠ WARNING: Use of this tool can generate and/or disperse dust, which may cause serious and permanent respiratory or other injury. Always use NIOSH/OSHA approved respiratory protection appropriate for the dust exposure. Direct particles away from face and body.

⚠ WARNING: ALWAYS use safety glasses. Everyday eye glasses are NOT safety glasses. Also use face or dust mask if cutting operation is dusty.

ALWAYS WEAR CERTIFIED SAFETY EQUIPMENT:

- ANSI Z87.1 eye protection (CAN/CSA Z94.3)
- ANSI S12.6 (S3.19) hearing protection
- NIOSH/OSHA/MSHA respiratory protection

⚠ WARNING: Always wear proper personal hearing protection that conforms to ANSI S12.6 (S3.19) during use. Under some conditions and duration of use, noise from this product may contribute to hearing loss.

The label on your tool may include the following symbols.

- | | |
|--|---|
| V.....volts | A.....amperes |
| Hz.....hertz | W.....watts |
| minminutes | ~alternating current |
| — — —direct current | n ₀no load speed |
| ⓂClass I Construction
(grounded) | Ⓧearthing terminal |
| ⓂClass II Construction
(double insulated) | ⚠safety alert symbol |
| bpmbeats per minute | .../min or rpm...revolutions or
reciprocation per minute |
| 📖Read instruction manual before use | 🧑Use proper respiratory protection |
| 👂Use proper hearing protection | 🧑Use proper eye protection |

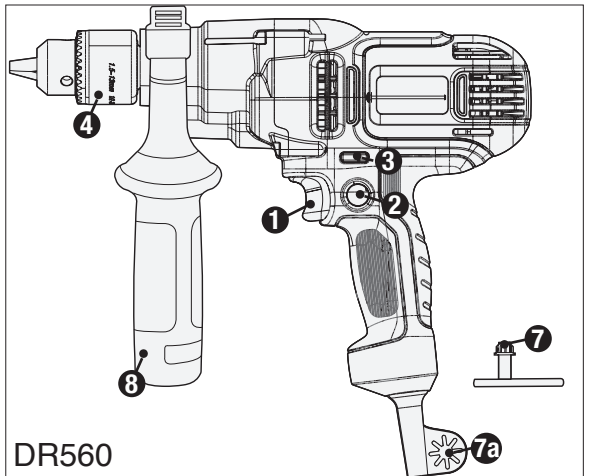
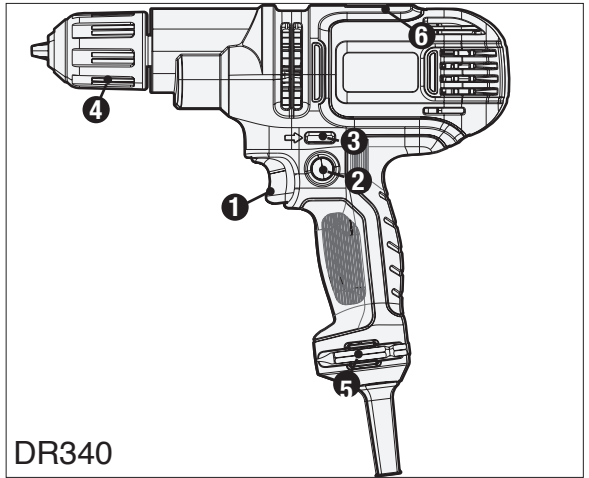
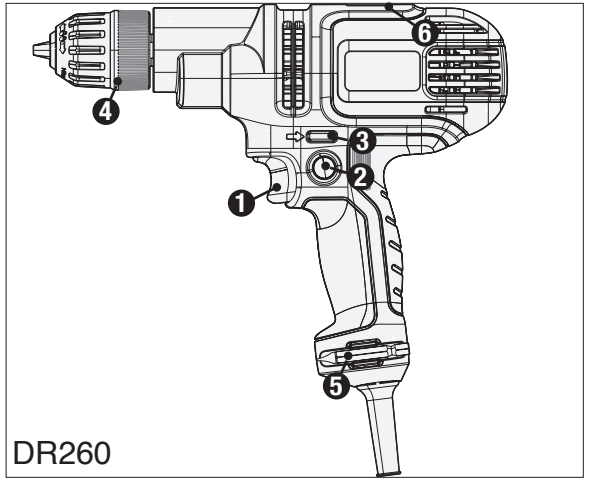
Extension Cords

When using an extension cord, be sure to use one heavy enough to carry the current your product will draw. An undersized cord will cause a drop in line voltage resulting in loss of power and overheating. The following table shows the correct size to use depending on cord length and nameplate ampere rating. In if doubt, use the next heavier gauge. The smaller the gauge number, the heavier the cord.

Volts	Minimum Gauge for Cord Sets				
	Total Length of Cord in Feet				
120V	0-25	26-50	51-100	101-150	
	(0-7,6m)	(7,6-15,2m)	(15,2-30,4m)	(30,4-45,7m)	
240V	0-50	51-100	101-200	201-300	
	(0-15,2m)	(15,2-30,4m)	(30,4-60,9m)	(60,9-91,4m)	
Ampere Rating					
More Than	Not more Than	American Wire Gauge			
0	- 6	18	16	16	14
6	- 10	18	16	14	12
10	- 12	16	16	14	12
12	- 16	14	12	Not Recommended	

FUNCTIONAL DESCRIPTION

- 1. Variable speed switch
- 2. Lock-on button
- 3. Forward/reverse slider
- 4. Chuck
- 5. Bit storage
- 6. Bubble level (DR260, DR340)
- 7. Chuck key (DR560)
- 7a. Chuck key holder (DR560)
- 8. Side handle (DR560)



⚠ Safety Warnings and Instructions: Drills

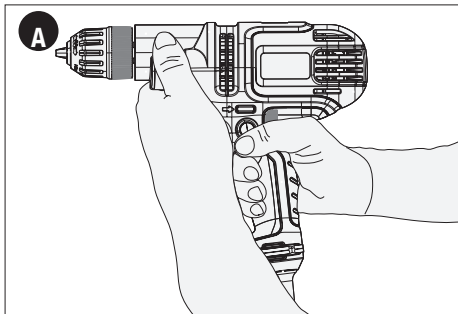
⚠ **WARNING:** Shock hazard. When drilling or driving into walls, floors or wherever live electrical wires may be encountered, **DO NOT TOUCH ANY METAL PARTS OF THE TOOL!** Hold the tool only by the plastic handle(s) / housing to prevent shock.

• Do not lock the tool ON when drilling by hand. Refer to Operating Instructions-Switching On and Off.

• **Hold drill firmly with both hands to control the twisting action of the drill (figure A). If your drill is equipped with a side handle, always use the side handle.**

⚠ **WARNING:** Drill may stall (if overloaded or improperly used) causing a twist. Always expect the stall. Grip the drill firmly to control the twisting action and prevent loss of control which could cause personal injury. If a stall does occur, release the trigger immediately and determine the reason for the stall before re-starting.

• Always unplug the drill when attaching or removing accessories. When attaching accessories in the drill chuck, it is important to securely tighten the chuck using all three holes to prevent slippage. When using a keyless chuck, hand tighten firmly.



Motor

Be sure your power supply agrees with nameplate marking. 120 Volts AC only means your drill will operate on standard 60 Hz household power. Do not operate AC tools on DC. A rating of 120 volts AC/DC means that your tool will operate on standard 60 Hz AC or DC power. This information is printed on the nameplate. Lower voltage will cause loss of power and can result in over-heating. All Black & Decker tools are factory-tested; if this tool does not operate, check the power supply.

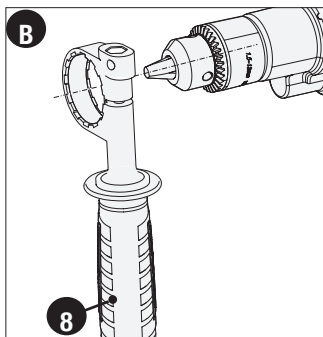
Assembly

⚠ **WARNING:** To reduce the risk of injury, before assembly, make sure that the tool is switched off and unplugged.

Attaching the side handle - DR560 (fig. B)

If your drill is equipped with a side handle, it must be installed properly to control the drill.

- Turn the grip counterclockwise until you can slide the side handle (8) onto the front of the tool as shown.
- Rotate the side handle into the desired position.
- Tighten the side handle by turning the grip clockwise.



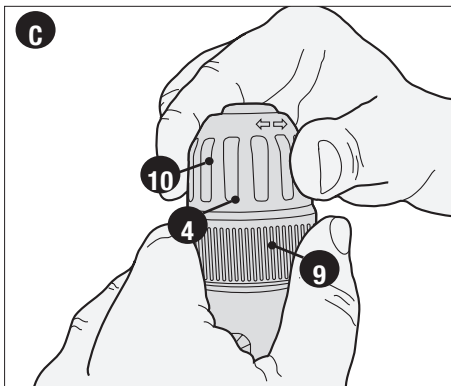
Inserting a drill bit or other accessory (fig. C & D)

⚠ **WARNING:** Do not attempt to tighten drill bits (or any other accessory) by gripping the front part of the chuck and turning the tool on. *Damage to the chuck and personal injury may occur when changing accessories.*

⚠ **WARNING:** Always ensure the bit is secure before starting the tool. A loose bit may eject from tool causing possible personal injury.

Keyless two sleeve chuck (DR260) (fig. C)

- Open the chuck (4) by grasping the rear half (9) with one hand and use your other hand to rotate the front sleeve (10) counterclockwise as viewed from the chuck end.
- Insert the accessory shaft into the chuck to about 3/4in. (19 mm) depth, centered in the jaws.
- Tighten securely by holding the rear half of the chuck and rotating the front sleeve in the clockwise direction as viewed from the chuck end.



Keyless single sleeve chuck (DR340)

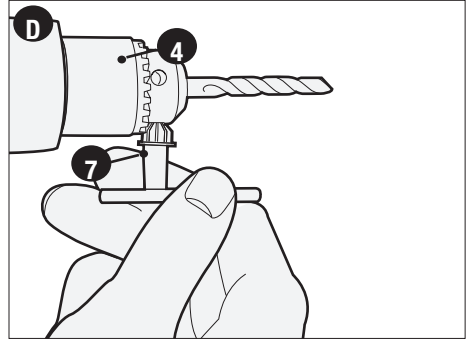
This tool is equipped with a feature that automatically locks the spindle when the tool is not running. This feature is a normal condition which allows for tightening or loosening of the chuck with one hand while holding the drill with the other.

- To change accessories, loosen the chuck by rotating the sleeve counterclockwise as viewed from the chuck end.
- Insert the accessory shaft into the chuck to about 3/4 in. (19 mm) depth, centered in the jaws.
- Tighten securely by rotating the sleeve in the clockwise direction as viewed from the chuck end.

Chuck and key (DR560) (fig. D)

- Open the chuck (4) by turning the collar counterclockwise (when viewed from the chuck end).
- Insert the accessory shaft into the chuck to about 3/4 in. (19 mm) depth, centered in the jaws.
- Tighten chuck collar by hand. Place chuck key (7) into each of the three holes and securely tighten in a clockwise direction.

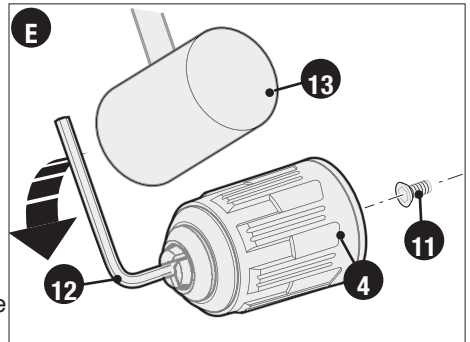
NOTE: Tighten chuck with all three holes to prevent slippage.



Removing and attaching the chuck (fig. E)

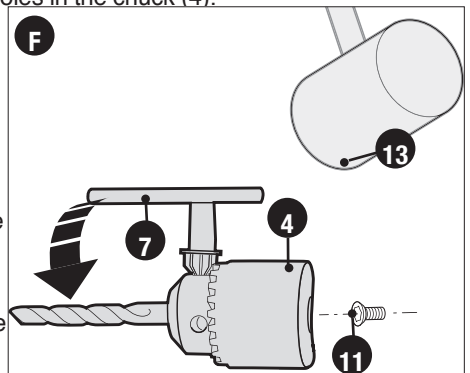
Keyless chuck (DR260, DR340)

- Open the chuck (4) as far as possible.
- Remove the chuck retaining screw (11), located in the chuck, by turning it clockwise using a screwdriver (lefthand thread).
- Tighten an allen key (12) of 1/4 in. (6mm) or greater size (not supplied) into the chuck and strike it with a soft hammer (13) in a clockwise direction as shown.
- Remove the allen key.
- Remove the chuck by turning it counterclockwise.
- To attach the chuck, screw it onto the spindle and secure it with the chuck retaining screw.



Keyed chuck (DR560) (fig. F)

- Place chuck key (7) in any one of the three holes in the chuck (4).
- Using a soft hammer (13), strike the key in a clockwise direction. This will loosen the screw (11) inside the chuck.
- Open chuck jaws fully and remove the chuck retaining screw, located in the chuck, by turning it clockwise using a screwdriver (lefthand thread).
- Place key in chuck. Using a soft hammer (13), strike key sharply in a counterclockwise direction.
- Remove the chuck by turning it counterclockwise.
- To attach the chuck, screw it onto the spindle and secure it with the chuck retaining screw.



Operating Instructions

- ⚠ **WARNING:** To reduce the risk of serious personal injury, read, understand and follow all safety warnings and instructions prior to using tool.
- ⚠ **WARNING:** It is important to support the work properly and to hold the drill firmly to prevent loss of control which could cause personal injury. If you have any questions on how to properly operate tool, call: 1-800-544-6986.
- ⚠ **WARNING:** Do not attempt to tighten drill bits (or any other accessory) by gripping the front part of the chuck and turning the tool on. Damage to the chuck and personal injury may occur when changing accessories.
- ⚠ **WARNING:** To reduce the risk of injury, always unplug drill from power supply before making any adjustments or changing accessories.
- ⚠ **WARNING:** To reduce the risk of injury, let the tool work at its own pace. Do not overload.

Selecting the direction of rotation

For drilling and for tightening screws, use forward (clockwise) rotation. For loosening screws or removing a jammed drill bit, use reverse (counterclockwise) rotation.

- ⚠ **WARNING:** Never change the direction of rotation while the motor is running.

Models DR260, DR340

- To select forward rotation, push the forward/reverse slider (3) to the right (when viewed from the chuck end).
- To select reverse rotation, push the forward/reverse slider (3) to the left (when viewed from the chuck end).

Model DR560

- To select forward rotation, push the forward/reverse slider (3) to the left (when viewed from the chuck end).
- To select reverse rotation, push the forward/reverse slider (3) to the right (when viewed from the chuck end).

Switching on and off

- To switch the tool on, press the variable speed switch (1). The tool speed depends on how far you press the switch.
- For continuous operation, press the lock-on button (2) and release the variable speed switch. This option is available only at full speed.
- To switch the tool off, release the variable speed switch. To switch the tool off when in continuous operation, press the variable speed switch once more and release it.

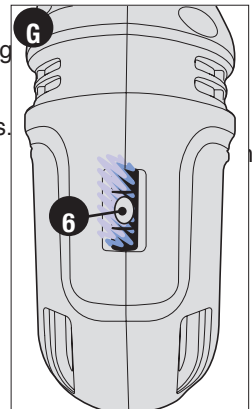
- ⚠ **WARNING:** The drill should only be locked ON when it is held stationary in a drill press stand or other means; NOT BY HAND! Never unplug the tool with the locking feature engaged. To do so will cause the tool to start immediately the next time it is plugged in.

Built-in level (DR260, DR340)

Your drill is equipped with a bubble level that assists you in drilling level holes.

- For horizontal drilling, tilt the drill up or down as required so the bubble floats in the center of the parallel lines drawn on the glass.
- When the bubble (6) is centered between the lines, as shown **figure G**, the drill is level.
- To assure accuracy, first place a level on your workpiece and position it so that it is level. Then, when the drill reads level, the two will be aligned. (Any bubble level can only indicate level relative to the earth.)

NOTE: The level is filled with mineral oil that may cause minor skin or eye irritation when contacted. If the level breaks and this fluid gets on your skin, rinse thoroughly with water. any liquid gets in your eyes, rinse thoroughly with water and call physician immediately.



Drilling

- Always unplug the drill when attaching or removing accessories. When attaching accessories in the drill chuck, it is important to securely tighten the chuck using all three holes to prevent slippage. When using a keyless chuck, hand tighten firmly.
- Use sharp drill bits only.
- Support and secure work properly, as instructed in the safety instructions.
- Use appropriate and required safety equipment, as instructed in the safety instructions.
- Secure and maintain work area, as instructed in the safety instructions.
- Plug in drill. **Make sure switch turns drill on and off.**
- Run the drill very slowly, using light pressure, until the hole is started enough to keep the drill bit from slipping out of it.
- Apply pressure in a straight line with the bit. Use enough pressure to keep the bit biting but not so much as to stall the motor or deflect the bit.
- **Hold the drill firmly with both hands to control its twisting action (figure A).**
- Use side handle if drill (DR560) is equipped with one.
- **DO NOT CLICK THE TRIGGER OF A STALLED DRILL OFF AND ON IN AN ATTEMPT TO START IT. DAMAGE TO THE DRILL CAN RESULT.**
- Minimize stalling on breakthrough by reducing pressure and slowly drilling through the last part of the hole.
- Keep the motor running while pulling the bit out of a drilled hole. This will help reduce jamming.

Drilling In Wood

Holes in wood can be made with the same twist drill bits used for metal or with spade bits. These bits should be sharp and should be pulled out frequently when drilling to clear chips from the flutes.

Drilling In Metal

Use a cutting lubricant when drilling metals. The exceptions are cast iron and brass which should be drilled dry. The cutting lubricants that work best are sulfurized cutting oil or lard oil.

Troubleshooting

Problem

- Unit will not start.

Possible Cause

- Cord not plugged in.
- Forward/reverse slider not fully depressed in desired direction.
- Circuit fuse is blown.
- Circuit breaker is tripped.
- Cord or switch is damaged.

Possible Solution

- Plug tool into a working outlet.
- Push slider completely to the left or right.
- Replace circuit fuse.
(If the product repeatedly causes the circuit fuse to blow, discontinue use immediately and have it serviced at a Black & Decker service center or authorized servicer.)
- Reset circuit breaker.
(If the product repeatedly causes the circuit breaker to trip, discontinue use immediately and have it serviced at a Black & Decker service center or authorized servicer.)
- Have cord or switch replaced at Black & Decker Service Center or Authorized Servicer.

For assistance with your product, visit our website www.blackanddecker.com for the location of the service center nearest you or call the BLACK & DECKER help line at **1-800-544-6986**.

MAINTENANCE

Use only mild soap and damp cloth to clean the tool. Never let any liquid get inside the tool; never immerse any part of the tool into a liquid.

IMPORTANT: To assure product SAFETY and RELIABILITY, repairs, maintenance and adjustment should be performed by authorized service centers or other qualified service personnel, always using identical replacement parts.

ACCESSORIES

Recommended accessories for use with your tool are available from your local dealer or authorized service center. If you need assistance regarding accessories, please call:

1-800-544-6986.

⚠ WARNING: The use of any accessory not recommended for use with this tool could be hazardous.

SERVICE INFORMATION

All Black & Decker Service Centers are staffed with trained personnel to provide customers with efficient and reliable power tool service. Whether you need technical advice, repair, or genuine factory replacement parts, contact the Black & Decker location nearest you. To find your local service location, refer to the yellow page directory under "Tools—Electric" or call: **1-800-544-6986** or visit **www.blackanddecker.com**

FULL TWO-YEAR HOME USE WARRANTY

Black & Decker (U.S.) Inc. warrants this product for two years against any defects in material or workmanship. The defective product will be replaced or repaired at no charge in either of two ways.

The first, which will result in exchanges only, is to return the product to the retailer from whom it was purchased (provided that the store is a participating retailer). Returns should be made within the time period of the retailer's policy for exchanges (usually 30 to 90 days after the sale). Proof of purchase may be required. Please check with the retailer for their specific return policy regarding returns that are beyond the time set for exchanges.

The second option is to take or send the product (prepaid) to a Black & Decker owned or authorized Service Center for repair or replacement at our option. Proof of purchase may be required. Black & Decker owned and authorized Service Centers are listed under "Tools-Electric" in the yellow pages of the phone directory.

This warranty does not apply to accessories. This warranty gives you specific legal rights and you may have other rights which vary from state to state or province to province.

Should you have any questions, contact the manager of your nearest Black & Decker Service Center. This product is not intended for commercial use.

FREE WARNING LABEL REPLACEMENT: If your warning labels become illegible or are missing, call **1-800-544-6986** for a free replacement.

LATIN AMERICA: This warranty does not apply to products sold in Latin America. For products sold in Latin America, check country specific warranty information contained in the packaging, call the local company or see the website for warranty information.

MAXIMUM RECOMMENDED CAPACITIES

Cat. #	Type	Steel	Soft Wood	Hard Wood	Masonry
DR260	3/8in. Drill	3/8in.(10mm) Twist Bit	1-1/4in.(31.7mm)	1 in.(25.4mm)	N/A
DR340	3/8in. Drill	3/8in.(10mm) Twist Bit	1-1/4in.(31.7mm)	1 in.(25.4mm)	N/A
DR560	1/2in. Drill	1/2in.(13mm) Twist Bit	1-1/2in.(38.1mm)	1-1/4in.(31.7mm)	N/A

Imported by
Black & Decker (U.S.) Inc.,
701 E. Joppa Rd.
Towson, MD 21286 U.S.A.



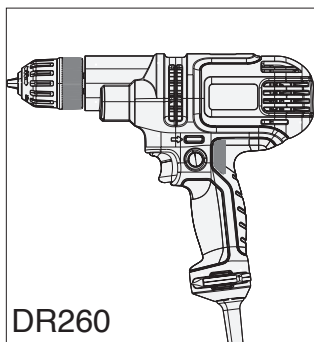
See 'Tools-
Electric'
– Yellow Pages –
for Service &
Sales



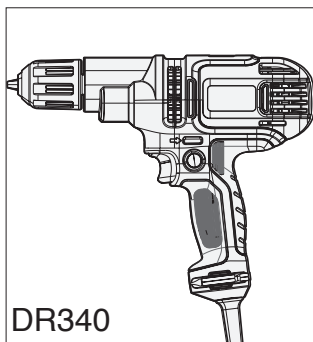


**PERCEUSES ET MARTEAUX
PERFORATEURS**
10 mm (3/8 po) 13 mm (1/2 po)

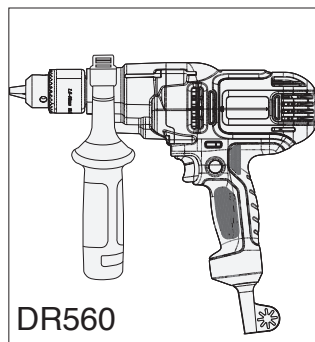
MODE D'EMPLOI



DR260



DR340



DR560

Numéro de catalogue : DR260, DR340, DR550

**Merci d'avoir choisi Black & Decker!
Consulter le site Web [www.BlackandDecker.com/
NewOwner](http://www.BlackandDecker.com/NewOwner)
pour enregistrer votre nouveau produit.**

**À LIRE AVANT DE RETOURNER CE PRODUIT
POUR QUELQUE RAISON QUE CE SOIT :**

Si des questions ou des problèmes surgissent après l'achat d'un produit Black & Decker,
consulter le site Web

[HTTP://WWW.BLACKANDDECKER.COM/INSTANTANSWERS](http://www.blackanddecker.com/instantanswers)

pour obtenir des réponses instantanément 24 heures par jour.

Si la réponse est introuvable ou en l'absence d'accès à Internet, composer le
1-800-544-6986 de 8 h à 17 h HNE, du lundi au vendredi, pour parler avec un agent.

Prière d'avoir le numéro de catalogue sous la main lors de l'appel.

CONSERVER CE MANUEL POUR UN USAGE ULTÉRIEUR.

LIGNES DIRECTRICES EN MATIÈRE DE SÉCURITÉ - DÉFINITIONS

Il est important que vous lisiez et compreniez ce mode d'emploi. Les informations qu'il contient concernent VOTRE SÉCURITÉ et visent à ÉVITER TOUT PROBLÈME. Les symboles ci-dessous servent à vous aider à reconnaître cette information.

- ⚠ DANGER :** Indique une situation dangereuse imminente qui, si elle n'est pas évitée, causera la mort ou des graves blessures.
- ⚠ AVERTISSEMENT :** Indique une situation potentiellement dangereuse qui, si elle n'est pas évitée, pourrait causer la mort ou de graves blessures.
- ⚠ MISE EN GARDE :** Indique une situation potentiellement dangereuse qui, si elle n'est pas évitée, pourrait causer des blessures mineures ou modérées.

AVIS : Utilisé sans le symbole d'alerte à la sécurité, indique une situation potentiellement dangereuse qui, si elle n'est pas évitée, peut résulter en des dommages à la propriété.

Avertissements de sécurité généraux pour les outils électriques

⚠ AVERTISSEMENT! Lire tous les avertissements de sécurité et toutes les directives. Le non-respect des avertissements et des directives pourrait se solder par un choc électrique, un incendie et/ou une blessure grave.

Conserver tous les avertissements et toutes les directives pour un usage ultérieur. Le terme «outil électrique» cité dans les avertissements se rapporte à votre outil électrique à alimentation sur secteur (avec fil) ou par piles (sans fil).

1) Sécurité du lieu de travail

- a) **Tenir la zone de travail propre et bien éclairée.** *Les endroits sombres sont souvent des causes d'accidents.*
- b) **Ne pas faire fonctionner d'outils électriques dans un milieu déflagrant, soit en présence de liquides inflammables, de gaz ou de poussière.** *Les outils électriques produisent des étincelles qui peuvent enflammer la poussière ou les vapeurs.*
- c) **Éloigner les enfants et les curieux au moment d'utiliser un outil électrique.** *Une distraction pourrait vous en faire perdre la maîtrise.*

2) Sécurité en matière d'électricité

- a) **Les fiches des outils électriques doivent correspondre à la prise. Ne jamais modifier la fiche en aucune façon.** *Ne jamais utiliser de fiche d'adaptation avec un outil électrique mis à la terre. Le risque de choc électrique sera réduit par l'utilisation de fiches non modifiées correspondant à la prise.*
- b) **Éviter tout contact physique avec des surfaces mises à la terre comme des tuyaux, des radiateurs, des cuisinières et des réfrigérateurs.** *Le risque de choc électrique est plus élevé si votre corps est mis à la terre.*
- c) **Ne pas exposer les outils électriques à la pluie ou à d'autres conditions où il pourrait être mouillé.** *La pénétration de l'eau dans un outil électrique augmente le risque de choc électrique.*
- d) **Ne pas utiliser abusivement le cordon d'alimentation. Ne jamais utiliser le cordon pour transporter, tirer ou débrancher un outil électrique. Tenir le cordon éloigné de la chaleur, de l'huile, des bords tranchants ou des pièces mobiles.** *Les cordons endommagés ou emmêlés augmentent les risques de choc électrique.*
- e) **Pour l'utilisation d'un outil électrique à l'extérieur, se servir d'une rallonge convenant à une telle utilisation.** *L'utilisation d'une rallonge conçue pour l'extérieur réduit les risques de choc électrique.*
- f) **S'il est impossible d'éviter l'utilisation d'un outil électrique dans un endroit humide, brancher l'outil dans une prise ou sur un circuit d'alimentation dotés d'un disjoncteur de fuite à la terre (GFCI).** *L'utilisation de ce type de disjoncteur réduit les risques de choc électrique.*

3) Sécurité personnelle

- a) **Être vigilant, surveiller le travail effectué et faire preuve de jugement lorsqu'un outil électrique est utilisé. Ne pas utiliser d'outil électrique en cas de fatigue ou sous l'influence de drogues, d'alcool ou de médicaments.** *Un simple moment d'inattention*

en utilisant un outil électrique peut entraîner des blessures corporelles graves.

- b) **Utiliser des équipements de protection individuelle. Toujours porter une protection oculaire.** *L'utilisation d'équipements de protection comme un masque antipoussière, des chaussures antidérapantes, un casque de sécurité ou des protecteurs auditifs lorsque la situation le requiert réduira les risques de blessures corporelles.*
 - c) **Empêcher les démarrages intempestifs. S'assurer que l'interrupteur se trouve à la position d'arrêt avant de relier l'outil à une source d'alimentation et/ou d'insérer un bloc-piles, de ramasser ou de transporter l'outil.** *Transporter un outil électrique alors que le doigt repose sur l'interrupteur ou brancher un outil électrique dont l'interrupteur est à la position de marche risque de provoquer un accident.*
 - d) **Retirer toute clé de réglage ou clé standard avant de démarrer l'outil.** *Une clé standard ou une clé de réglage attachée à une partie pivotante peut causer des blessures.*
 - e) **Ne pas trop tendre les bras. Conserver son équilibre en tout temps.** *Cela permet de mieux maîtriser l'outil électrique dans les situations imprévues.*
 - f) **S'habiller de manière appropriée. Ne pas porter de vêtements amples ni de bijoux. Garder les cheveux, les vêtements et les gants à l'écart des pièces mobiles.** *Les vêtements amples, les bijoux ou les cheveux longs risquent de rester coincés dans les pièces mobiles.*
 - g) **Si des composants sont fournis pour le raccordement de dispositifs de dépoussiérage et de ramassage, s'assurer que ceux-ci sont bien raccordés et utilisés.** *L'utilisation d'un dispositif de dépoussiérage peut réduire les dangers engendrés par les poussières.*
- 4) **Utilisation et entretien d'un outil électrique**
- a) **Ne pas forcer un outil électrique. Utiliser l'outil électrique approprié à l'application.** *L'outil électrique approprié effectuera un meilleur travail, de façon plus sûre et à la vitesse pour laquelle il a été conçu.*
 - b) **Ne pas utiliser un outil électrique dont l'interrupteur est défectueux.** *Tout outil électrique dont l'interrupteur est défectueux est dangereux et doit être réparé.*
 - c) **Débrancher la fiche du secteur ou le bloc-piles de l'outil électrique avant de faire tout réglage ou changement d'accessoire, ou avant de ranger l'outil électrique.** *Ces mesures préventives réduisent les risques de démarrage accidentel de l'outil électrique.*
 - d) **Ranger les outils électriques hors de la portée des enfants, et ne permettre à aucune personne n'étant pas familière avec un outil électrique (ou son manuel d'instruction) d'utiliser ce dernier.** *Les outils électriques deviennent dangereux entre les mains d'utilisateurs inexpérimentés.*
 - e) **Entretenir les outils électriques. Vérifier les pièces mobiles pour s'assurer qu'elles sont bien alignées et tournent librement, qu'elles sont en bon état et ne sont affectées par aucun trouble susceptible de nuire au bon fonctionnement de l'outil électrique. En cas de dommage, faire réparer l'outil électrique avant toute nouvelle utilisation.** *Beaucoup d'accidents sont causés par des outils électriques mal entretenus.*
 - f) **S'assurer que les outils de coupe sont aiguisés et propres.** *Les outils de coupe bien entretenus et affûtés sont moins susceptibles de se coincer et sont plus faciles à contrôler.*
 - g) **Utiliser l'outil électrique, les accessoires, les forets, etc. conformément aux présentes directives en tenant compte des conditions de travail et du travail à effectuer.** *L'utilisation d'un outil électrique pour toute opération autre que celle pour laquelle il a été conçu est dangereuse.*
- 5) **Réparation**
- a) **Faire réparer l'outil électrique par un réparateur professionnel en n'utilisant que des pièces de rechange identiques.** *Cela permettra de maintenir une utilisation sécuritaire de l'outil électrique.*

RÈGLES DE SÉCURITÉ SPÉCIFIQUES

- **Saisir l'outil électrique par ses surfaces de prises isolées lorsque l'outil peut entrer en contact avec des fils cachés ou son cordon.** *En cas de contact avec un fil sous tension, les pièces métalliques de l'outil seront sous tension et l'utilisateur subira des secousses électriques.*
- **Utiliser des brides de fixation ou un autre dispositif de fixation permettant de fixer solidement et de soutenir la pièce sur une plateforme stable.** *Tenir la pièce avec la main ou contre son corps la rend instable et risque de provoquer une perte de maîtrise de l'outil.*

- **Porter des protecteurs auditifs si une perceuse à percussion est utilisée.** Une exposition au bruit peut entraîner une perte auditive.
- **Utiliser les poignées auxiliaires fournies avec l'outil.** Une perte de maîtrise de l'outil peut entraîner des blessures corporelles.
- **Tenir les cheveux, les vêtements et les gants loin des événements.** En effet, les événements cachent souvent des pièces mobiles qui risquent de happer ces articles.
- **Tenir fermement l'outil à deux mains (voir la fig. A).** Utiliser la poignée auxiliaire si elle est fournie. Une perte de maîtrise de l'outil peut entraîner des blessures.

⚠ AVERTISSEMENT : certains outils électriques, tels que les sableuses, les scies, les meules, les perceuses ou certains autres outils de construction, peuvent produire de la poussière contenant des produits chimiques susceptibles d'entraîner le cancer, des malformations congénitales ou pouvant être nocifs pour le système reproductif. Parmi ces produits chimiques, on retrouve :

- le plomb dans les peintures à base de plomb,
- la silice cristalline dans les briques et le ciment et autres produits de maçonnerie,
- l'arsenic et le chrome dans le bois de sciage ayant subi un traitement chimique (comme l'arséniate de cuivre et de chrome).

Le risque associé à de telles expositions varie selon la fréquence avec laquelle on effectue ces travaux. Pour réduire l'exposition à de tels produits, il faut travailler dans un endroit bien aéré et utiliser le matériel de sécurité approprié, tel un masque anti-poussières spécialement conçu pour filtrer les particules microscopiques.

- **Éviter tout contact prolongé avec la poussière soulevée par cet outil ou autres outils électriques. Porter des vêtements de protection et nettoyer les parties exposées du corps avec de l'eau savonneuse.** S'assurer de bien se protéger afin d'éviter d'absorber par la bouche, les yeux ou la peau des produits chimiques nocifs.

⚠ AVERTISSEMENT : Cet outil peut produire et répandre de la poussière susceptible de causer des dommages sérieux et permanents au système respiratoire. Toujours utiliser un appareil respiratoire anti-poussières approuvé par le NIOSH ou l'OSHA. Diriger les particules dans le sens opposé du visage et du corps.

⚠ AVERTISSEMENT : TOUJOURS porter des lunettes de sécurité. Les lunettes de vue ne constituent PAS des lunettes de sécurité. Utiliser également un masque facial ou anti-poussière si l'opération de découpe génère de la poussière. TOUJOURS PORTER UN ÉQUIPEMENT DE PROTECTION HOMOLOGUÉ :

- protection oculaire conforme à la norme ANSI Z87.1 (CAN/CSA Z94.3);
- protection auditive ANSI S12.6 (S3.19);
- protection des voies respiratoires conformes aux normes NIOSH/OSHA/MSHA.

⚠ AVERTISSEMENT : toujours porter une protection auditive appropriée conformément à la norme ANSI S12.6 (S3.19) lors de l'utilisation du produit.

Dans certaines conditions et selon la durée d'utilisation, le bruit émis par ce produit peut contribuer à une perte auditive.

L'étiquette de l'outil peut comporter les symboles suivants.

V..... volts	A..... ampères
Hz..... hertz	W..... watts
min..... minutes	~ courant alternatif
== courant continu	n _o sous vide
Ⓛ Construction de classe I (mis à la terre)	Ⓜ borne de mise à la minute
Ⓜ Construction de classe II	⚠ symbole d'avertissement
.../min tours à la minute	coups/min.....coups par minute
👉 Lire le mode d'emploi avant l'utilisation	
👤 Utiliser une protection respiratoire adéquate.	
👁 Utiliser une protection oculaire adéquate.	
👂 Utiliser une protection auditive adéquate.	

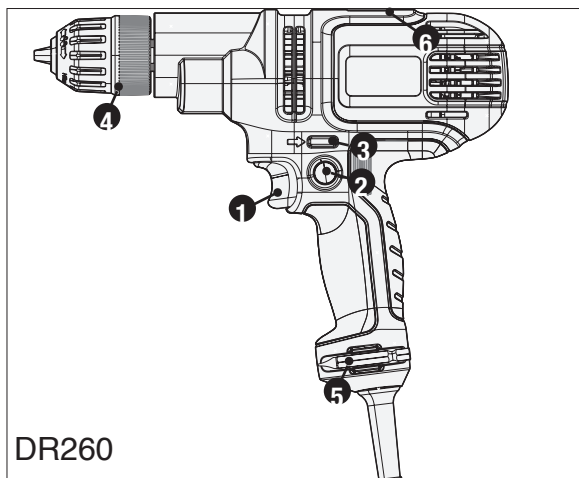
Rallonges

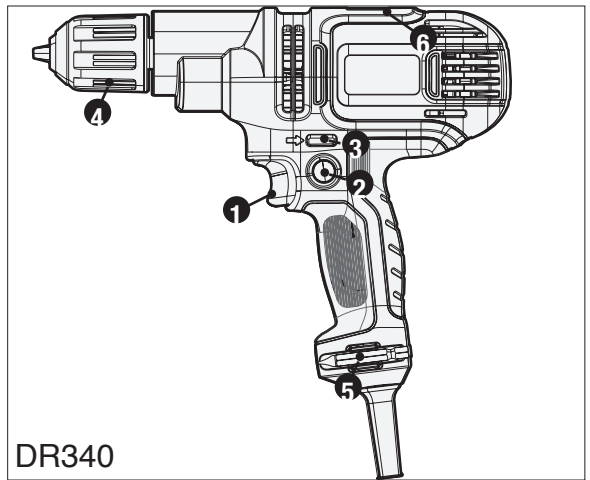
L'utilisation d'une rallonge conçue pour l'extérieur réduit les risques de choc électrique. Lorsque qu'une rallonge électrique est utilisée, s'assurer d'en utiliser une de calibre suffisamment élevé pour assurer le transport du courant nécessaire au fonctionnement de votre appareil. Un cordon de calibre inférieur causera une chute de tension de ligne et donc une perte de puissance et une surchauffe. Le tableau suivant indique le calibre approprié à utiliser selon la longueur du cordon et l'intensité nominale de la plaque signalétique. En cas de doute, utiliser le calibre suivant le plus gros. Plus le numéro de calibre est petit, plus le cordon est lourd.

Tension	Calibre minimal des cordons de rallonge				
	Longueur totale du cordon en pieds				
120V	0-25	26-50	51-100	101-150	
	(0-7,6m)	(7,6-15,2m)	(15,2-30,4m)	(30,4-45,7m)	
240V	0-50	51-100	101-200	201-300	
	(0-15,2m)	(15,2-30,4m)	(30,4-60,9m)	(60,9-91,4m)	
Intensité (A)		Calibre moyen des fils (AWG)			
Au moins	Au plus				
0 - 6	6	18	16	16	14
6 - 10	10	18	16	14	12
10 - 12	12	16	16	14	12
12 - 16	16	14	12	Non recommandé	

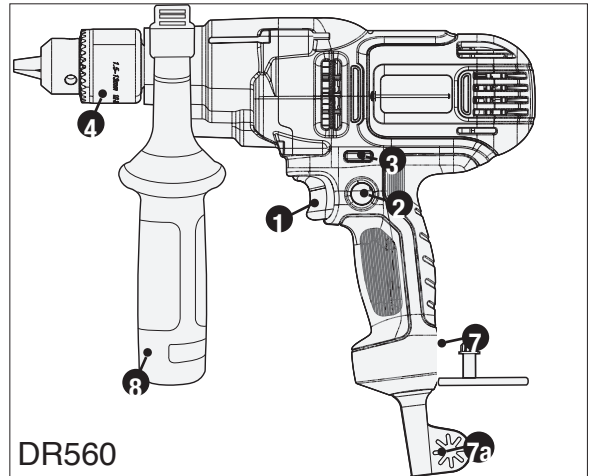
DESCRIPTION FONCTIONNELLE

- Détente de vitesse variable
- Bouton de verrouillage
- Interrupteur à glissière de marche avant/marche arrière
- Mandrin
- Rangement des mèches
- Niveau à bulle d'air (DR260, DR340)
- Clé de mandrin (DR560)
- Porte-clé du mandrin (DR560)
- Poignée latérale (DR560)





DR340

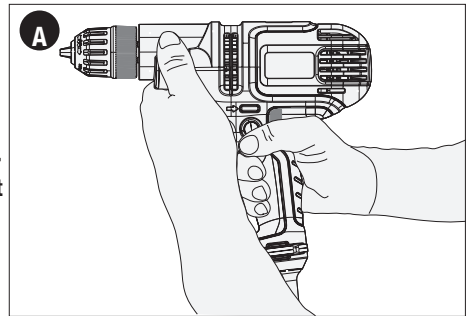


DR560

⚠ Avertissements de sécurité et directives : perceuses

⚠ **AVERTISSEMENT** : risque de choc électrique. Lors d'un perçage ou d'un vissage dans les murs, planchers ou tout autre endroit pouvant comporter des fils électriques sous tension, **NE PAS TOUCHER À UNE PARTIE MÉTALLIQUE DE L'OUTIL** ! Tenir l'outil uniquement par la poignée en plastique pour prévenir tout choc électrique.

- Ne pas verrouiller l'outil en position de marche lors de perçage à la main. Se reporter au mode d'emploi, à la rubrique mise sous tension et hors tension.
- **Tenir la perceuse fermement des deux mains pour contrôler la torsion de la perceuse (Fig. A). Si la perceuse est dotée d'une poignée latérale, toujours l'utiliser.**
- ⚠ **AVERTISSEMENT** : la perceuse pourrait se bloquer (à cause d'une surcharge ou d'une mauvaise utilisation), produisant ainsi une torsion brusque. Il faut toujours prévoir l'éventualité d'un blocage. Saisir fermement la perceuse pour contrôler sa torsion et éviter d'en perdre la maîtrise ce qui pourrait entraîner des blessures corporelles. En cas de blocage, relâcher la détente immédiatement et déterminer la raison du blocage avant de redémarrer.



- Toujours débrancher la perceuse lors de l'insertion ou du retrait d'accessoires. Lors de l'insertion d'accessoires dans le mandrin de la perceuse, il est primordial de serrer solidement le mandrin en utilisant les trois trous pour prévenir tout glissement. Dans le cas d'un mandrin sans clé, serrer fermement à la main.

Moteur

S'assurer que le bloc d'alimentation est compatible avec l'inscription de la plaque signalétique. L'inscription 120 volts c.a. seulement indique que l'outil fonctionnera sur une alimentation domestique standard de 60 Hz. Ne pas faire fonctionner des outils à courant alternatif (c.a.) sur un courant continu (c.c.). Un régime nominal de 120 volts c.a./c.c. signifie que l'outil fonctionnera avec une alimentation standard 60 Hz c.a. ou c.c. Ce renseignement figure sur la plaque signalétique. Une plus faible tension entraînera une baisse de régime, ce qui peut entraîner une surchauffe. Tous les outils Black & Decker sont testés en usine; si cet outil ne fonctionne pas, vérifier le bloc d'alimentation.

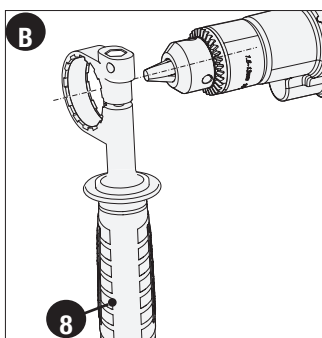
Assemblage

⚠ AVERTISSEMENT : pour réduire le risque de blessures avant l'assemblage, s'assurer que l'outil est éteint et débranché.

Fixation de la poignée latérale - DR560 (fig. B)

Si la perceuse est dotée d'une poignée latérale, veuillez l'installer correctement pour bien maîtriser la perceuse.

- Tourner la poignée en sens antihoraire jusqu'à ce que la poignée latérale (8) se glisse en place à l'avant de l'outil comme indiqué.
- Pivoter la poignée latérale à la position désirée.
- Serrer la poignée latérale en la tournant en sens horaire.



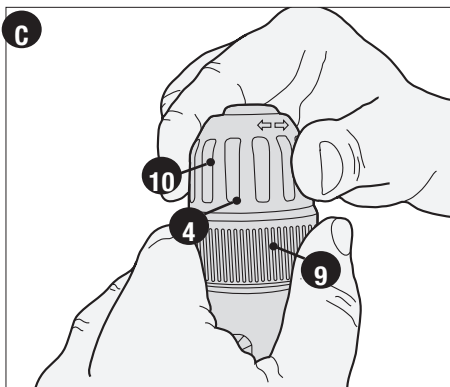
Insérer une mèche ou un autre accessoire (fig. C et D)

⚠ AVERTISSEMENT : ne pas essayer de resserrer les mèches (ou tout autre accessoire) en saisissant la partie avant du mandrin et en mettant l'outil en marche. Lors du changement d'accessoire, il y a risque d'endommager le mandrin et d'entraîner des blessures corporelles.

⚠ AVERTISSEMENT : toujours s'assurer que la mèche est bien fixée avant de démarrer l'outil. Une mèche desserrée peut être éjectée de l'outil et causer des blessures corporelles.

Mandrin sans clé (modèle DR260) (fig. C)

- Ouvrir les mâchoires du mandrin (4) en saisissant la partie arrière (9) du mandrin d'une main et en utilisant l'autre main pour tourner le manchon avant (10) dans le sens antihoraire, si on se place à l'extrémité du mandrin.
- Insérer l'emmanchement de l'accessoire au centre des mâchoires du mandrin à une profondeur d'environ 19 mm (3/4 po).
- Saisir de nouveau la partie arrière du mandrin et tourner le manchon avant en sens horaire - si on se place à l'extrémité du mandrin - pour serrer solidement l'accessoire.



Mandrin sans clé à manchon unique (DR340)

L'outil est doté d'une fonction qui bloque automatiquement la broche lorsque l'outil est au repos. Le blocage est normal et permet de serrer ou de desserrer le mandrin d'une seule main tout en tenant la perceuse avec l'autre main.

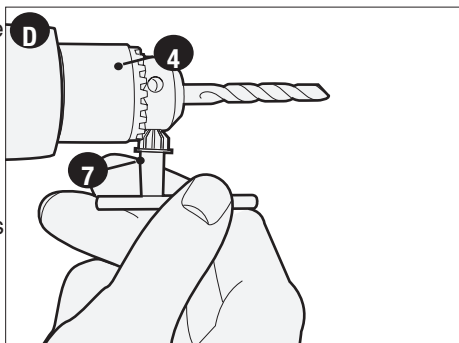
- Pour changer d'accessoire, desserrer le mandrin en tournant le manchon dans le sens antihoraire, si on se place à l'extrémité du mandrin.

- Insérer la tige accessoire dans le mandrin, à une profondeur d'environ 19 mm (3/4 po), au centre des mâchoires.
- Serrer solidement l'accessoire en tournant le manchon dans le sens horaire, si on se place à l'extrémité du mandrin.

Mandrin et clé (modèle DR560) (fig. D)

- Tourner la bague en sens antihoraire (si on se place à l'extrémité du mandrin) pour ouvrir les mâchoires du mandrin (4).
- Insérer l'emmanchement de l'accessoire au centre des mâchoires du mandrin à une profondeur d'environ 19 mm (3/4 po).
- Puis serrer le mandrin à la main. Insérer la clé de mandrin (7) dans chacun des trois trous et serrer solidement en tournant en sens horaire.

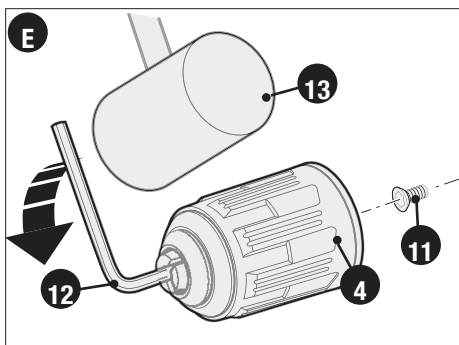
REMARQUE : utiliser tous les trois trous du mandrin pour serrer et prévenir ainsi tout glissement de l'emmanchement.



Retrait et fixation du mandrin (fig. E)

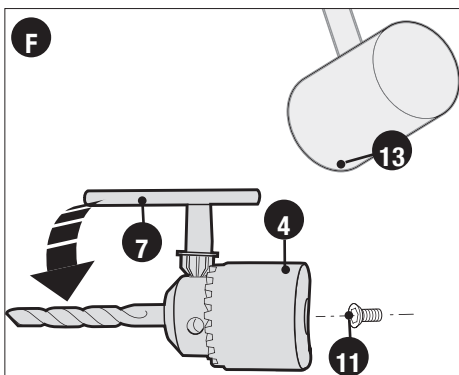
Mandrin sans clé (modèles DR260, DR340)

- Ouvrir autant que possible les mâchoires du mandrin (4).
- Dévisser en sens horaire avec un tournevis (filetage gauche) et retirer la vis de sûreté du mandrin (11) logée sur ce dernier.
- Insérer et serrer une clé Allen (12) de 6,35 mm (1/4 po) ou plus (clé non comprise) dans les mâchoires du mandrin et la frapper en sens horaire avec un marteau-caoutchouc (13).
- Puis retirer la clé Allen.
- Retirer le mandrin en le tournant en sens antihoraire.
- Pour fixer un mandrin, le visser sur la broche et le fixer avec la vis de sûreté du mandrin.



Mandrin à clé (modèle DR560) (fig. F)

- Insérer la clé du mandrin (7) dans n'importe lequel des trois trous du mandrin (4).
- Frapper la clé avec un marteau-caoutchouc (13) en sens horaire. Cette action desserrera la vis (11) à l'intérieur du mandrin.
- Ouvrir complètement les mâchoires du mandrin et dévisser, avec un tournevis, en sens horaire (filetage gauche) la vis de sûreté du mandrin logée à l'intérieur.
- Insérer la clé dans le mandrin. Frapper d'un coup brusque la clé avec un marteau-caoutchouc (13) en sens antihoraire.
- Retirer le mandrin en le tournant en sens antihoraire.
- Pour fixer un mandrin, le visser sur la broche et le fixer avec la vis de sûreté du mandrin.



Fonctionnement

⚠ AVERTISSEMENT : pour réduire le risque de blessure personnelle grave, veuillez lire, assimiler et suivre tous les avertissements de sécurité et toutes les directives avant d'utiliser l'outil.

⚠ AVERTISSEMENT : pour éviter toute blessure corporelle, soutenir correctement la pièce et tenir fermement la perceuse pour empêcher une perte de maîtrise de l'outil. Pour toute question sur l'utilisation de l'outil, composer le : 1-800-544-6986.

⚠ AVERTISSEMENT : ne pas essayer de resserrer les mèches (ou tout autre accessoire) en saisissant la partie avant du mandrin et en mettant l'outil en marche. Lors du changement d'accessoires, il y a risque d'endommager le mandrin et d'entraîner des blessures corporelles.

⚠ AVERTISSEMENT : pour réduire le risque de blessures, toujours débrancher la perceuse avec d'effectuer quelque ajustement que ce soit ou de changer d'accessoires.

⚠ AVERTISSEMENT : pour réduire les risques de blessures, laisser l'outil travailler à sa propre vitesse. Ne pas le surcharger.

Sélection du sens de rotation

Pour percer et serrer des vis, utiliser la rotation avant (sens horaire). Pour desserrer des vis ou retirer une mèche de perceuse coincée, utiliser la rotation arrière (sens antihoraire).

⚠ AVERTISSEMENT : ne jamais permuter entre les directions de rotation avec le moteur de la perceuse en fonctionnement.

Modèles DR260, DR340

- Pour sélectionner la rotation avant, coulisser le dispositif de glissement avant/arrière (3) vers la droite (si on se place à l'extrémité du mandrin).
- Pour sélectionner la rotation arrière, coulisser le dispositif de glissement avant/arrière (3) vers la gauche (si on se place à l'extrémité du mandrin).

Modèle DR560

- Pour sélectionner la rotation avant, régler le dispositif de glissement avant/arrière (3) à gauche (si on se place à l'extrémité du mandrin).
- Pour sélectionner la rotation arrière, régler le dispositif de glissement avant/arrière (3) à droite (si on se place à l'extrémité du mandrin).

Mise en marche et arrêt

- Pour mettre la perceuse en marche, appuyer sur la détente à vitesse variable (1). La vitesse de l'outil varie selon la pression qu'on exerce sur la détente.
- Pour un fonctionnement continu, appuyer sur le bouton de verrouillage (2) et relâcher la détente à vitesse variable. L'option n'est disponible qu'à plein régime.
- Pour éteindre l'outil, relâcher la détente à vitesse variable. Pour mettre l'outil hors tension en mode de fonctionnement continu, appuyer sur la détente à vitesse variable une fois, puis la relâcher.

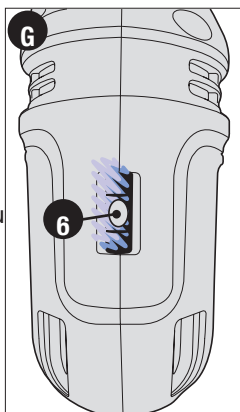
⚠ AVERTISSEMENT : verrouiller la perceuse en position de MARCHE uniquement si elle est fixe sur un socle de perceuse à colonne ou un autre dispositif de fixation. **NE JAMAIS LA VERROUILLER LORS D'UNE UTILISATION MANUELLE !** Ne jamais débrancher l'outil avec le dispositif de verrouillage engagé. Le non-respect de cette mesure provoquera le démarrage immédiat de l'outil dès le prochain branchement.

Niveau intégré (DR260, DR340)

Votre perceuse est dotée d'un niveau à bulle d'air qui vous aidera à percer des trous de niveau.

- Pour le perçage horizontal, incliner la perceuse vers le haut ou le bas au besoin de manière à ce que la bulle soit centrée entre les lignes parallèles tracées sur le verre.
- La perceuse est au niveau si la bulle (6) est centrée entre les lignes comme le montre la **figure G**.
- Pour assurer l'exactitude de votre travail, mettre d'abord un niveau sur la pièce et le positionner de manière à ce qu'il soit de niveau. Ensuite, lorsque la perceuse affiche « Niveau », la pièce et la perceuse seront alignées. (Le niveau à bulle d'air ne peut indiquer un niveau que par rapport à la Terre.)

REMARQUE : Le niveau est rempli d'huile minérale pouvant causer une irritation cutanée ou oculaire mineure en cas de contact. En cas de bris de niveau et si le liquide entre en contact avec la peau, la rincer abondamment à l'eau. Si le liquide entre en contact avec les yeux, rincer abondamment à l'eau et appeler immédiatement un médecin.



Perçage

- Toujours débrancher la perceuse lors de l'insertion ou du retrait d'accessoires. Lors de l'insertion d'accessoires dans le mandrin de la perceuse, il est primordial de serrer solidement le mandrin en utilisant les trois trous pour prévenir tout glissement. Dans le cas d'un mandrin sans clé, serrer fermement à la main.

- N'utiliser que des mèches bien aiguisées.
- Soutenir correctement et fixer solidement la pièce, tel qu'indiqué dans les directives de sécurité.
- Utiliser l'équipement de sécurité approprié, tel qu'indiqué dans les directives de sécurité.
- Protéger et entretenir la zone de travail, tel qu'indiqué dans les directives de sécurité.
- Branchement de la perceuse. S'assurer que la détente fonctionne.
- Faire tourner la perceuse très lentement, en utilisant peu de pression, jusqu'à ce que le trou soit suffisamment grand pour que la mèche ne glisse pas.
- Exercer une pression en ligne droite avec la mèche. Exercer suffisamment de pression pour faire mordre la mèche mais ne pas appuyer à l'excès pour éviter de caler le moteur ou de faire dévier la mèche.
- **Tenir fermement l'outil avec les deux mains afin de contrôler sa torsion (Fig. A).**
- Utiliser en tout temps la poignée latérale (modèle DR560) des outils qui en sont dotés.
- **NE PAS TENTER DE FAIRE DÉMARRER UNE PERCEUSE BLOQUÉE EN UTILISANT LE DÉCLENCHEUR. IL Y A RISQUE D'ENDOMMAGER L'OUTIL.**
- Éviter les blocages en réduisant la pression lors du perçage et percer lentement dans la dernière portion du trou.
- Ne pas arrêter le moteur lors du retrait de l'embout du trou percé. Cette pratique réduira ainsi les blocages.

Perçage dans le bois

Il est possible d'utiliser les mèches hélicoïdales qui percent le métal ou des mèches à trois pointes. Ces mèches doivent être bien aiguisées et doivent être fréquemment retirées pour nettoyer les cannelures.

Perçage dans le métal

Utiliser un lubrifiant de coupe pour percer les métaux. Seuls la fonte et le laiton doivent être percés à sec. Les meilleurs lubrifiants sont l'huile de coupe sulfurisée et l'huile de lard.

DÉPANNAGE

Problème	Cause possible	Solution possible
• L'appareil refuse de démarrer.	<ul style="list-style-type: none"> • Cordon d'alimentation non branché. • Le dispositif de glissement avant/arrière n'est pas entièrement glissement coulissé dans la direction voulue. • Le fusible du circuit est grillé. 	<ul style="list-style-type: none"> • Brancher l'outil dans une prise qui fonctionne. • Coulisser le dispositif de complètement vers la gauche ou la droite. • Remplacer le fusible du circuit. (Si le produit fait griller de façon répétée le fusible du circuit, arrêter immédiatement l'utilisation du produit et le faire réparer dans un centre de réparation Black & Decker ou un centre de réparation autorisé.)
	• Le disjoncteur est déclenché.	• Remettre le disjoncteur à zéro. (Si le produit fait déclencher de façon répétée le disjoncteur, arrêter immédiatement l'utilisation du produit et le faire réparer dans un centre de réparation Black & Decker ou un centre de réparation autorisé.)
	• Le cordon d'alimentation ou l'interrupteur est endommagé.	• Faire remplacer le cordon ou l'interrupteur au centre de réparation Black & Decker ou à un centre de réparation autorisé.

Pour obtenir de l'aide avec l'outil, consulter notre site Web www.blackanddecker.com pour l'emplacement du centre de réparation le plus près ou communiquer avec l'assistance **BLACK & DECKER** au **1-800-544-6986**.

ENTRETIEN

Nettoyer l'outil seulement à l'aide d'un savon doux et d'un linge humide. Ne laisser aucun liquide s'infiltrer dans l'outil et ne jamais immerger l'outil.

IMPORTANT : Pour assurer la SÉCURITÉ D'EMPLOI et la FIABILITÉ de l'outil, n'en confier la réparation, l'entretien et les rajustements qu'à un centre de service ou à un atelier d'entretien autorisé n'utilisant que des pièces de rechange identiques.

Accessoires

Les détaillants et le centre de service de la région vendent les accessoires recommandés pour l'outil. Pour trouver un accessoire, composer le **1 800 544-6986**.

AVERTISSEMENT : L'utilisation de tout accessoire non recommandé pour l'outil peut être dangereuse.

INFORMATION SUR LES RÉPARATIONS

Tous les centres de réparation Black & Decker sont dotés de personnel qualifié en matière d'outillage électrique; ils sont donc en mesure d'offrir à leur clientèle un service efficace et fiable. Que ce soit pour un avis technique, une réparation ou des pièces de rechange authentiques installées en usine, communiquer avec l'établissement Black & Decker le plus près de chez vous. Pour trouver l'établissement de réparation de votre région, consulter le répertoire des Pages jaunes à la rubrique « Outils électriques » ou composer le numéro suivant : **1-800-544-6986** ou consulter le site www.blackanddecker.com

GARANTIE COMPLÈTE DE DEUX ANS POUR UNE UTILISATION DOMESTIQUE

Black & Decker (É.-U.) Inc. garantit ce produit pour une durée de deux ans contre tout défaut de matériau ou de fabrication. Le produit défectueux sera remplacé ou réparé sans frais de l'une des deux façons suivantes :

La première façon consiste en un simple échange chez le détaillant qui l'a vendu (pourvu qu'il s'agisse d'un détaillant participant). Tout retour doit se faire durant la période correspondant à la politique d'échange du détaillant (habituellement, de 30 à 90 jours après l'achat). Une preuve d'achat peut être requise. Vérifier auprès du détaillant pour connaître sa politique concernant les retours hors de la période définie pour les échanges.

La deuxième option est d'apporter ou d'envoyer le produit (transport payé d'avance) à un centre de réparation autorisé ou à un centre de réparation de Black & Decker pour faire réparer ou échanger le produit, à notre discrétion. Une preuve d'achat peut être requise. Les centres Black & Decker et les centres de service autorisés sont répertoriés dans les pages jaunes, sous la rubrique « Outils électriques ».

Cette garantie ne s'applique pas aux accessoires. Cette garantie vous accorde des droits légaux spécifiques et vous pourriez avoir d'autres droits qui varient d'un État ou d'une province à l'autre. Pour toute question, communiquer avec le directeur du centre de réparation Black & Decker le plus près de chez vous. Ce produit n'est pas destiné à un usage commercial.

REMPLACEMENT GRATUIT DES ÉTIQUETTES D'AVERTISSEMENT : si les étiquettes d'avertissement deviennent illisibles ou sont manquantes, composer le **1-800-544-6986** pour en obtenir le remplacement gratuit.

CAPACITÉS MAXIMALES RECOMMANDÉES

N° Cat.	Type	Acier	Bois tendre	Bois dur	Maçonnerie
DR260	emmanchement	mèche hélicoïdale	31,7 mm (1-1/4 po)	25,4 mm (1 po)	S/O
de 10 mm (3/8 po) de 9,5 mm (3/8 po)					
DR340	emmanchement	mèche hélicoïdale	31,7 mm (1-1/4 po)	25,4 mm (1 po)	S/O
de 10 mm (3/8 po) de 9,5 mm (3/8 po)					
DR560	emmanchement	mèche hélicoïdale	38,1 mm (1-1/2 po)	31,7 mm (1-1/4 po)	S/O
de 12,7 mm (1/2 po) de 12,7 mm (1/2 po)					

Imported by / Importé par
Black & Decker Canada Inc.
100 Central Ave.
Brockville (Ontario) K6V 5W6

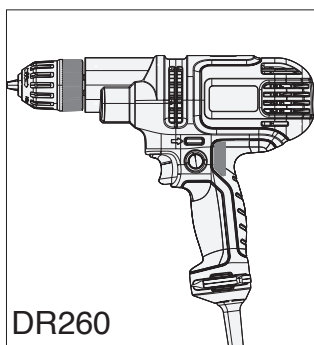
Voir la rubrique "Outils électriques"
des Pages Jaunes
pour le service et les ventes.



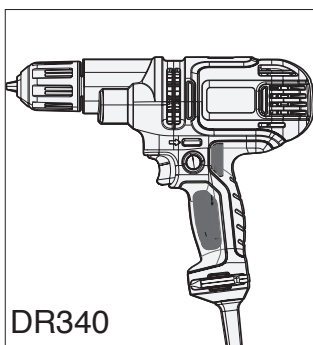


TALADROS Y TALADROS DE PERCUSIÓN DE 10 mm (3/8 pulg.) Y 13 mm (1/2 pulg.)

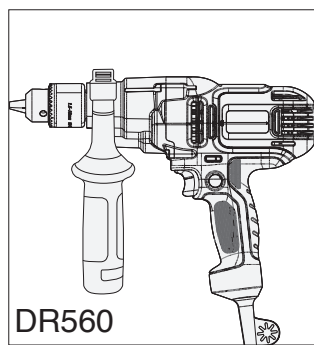
MANUAL DE INSTRUCCIONES



DR260



DR340



DR560

Catálogo N° DR260, DR340, DR560

Gracias por elegir Black & Decker!
Visite www.BlackandDecker.com/NewOwner
para registrar su nuevo producto.

LEA EL MANUAL ANTES DE DEVOLVER ESTE PRODUCTO POR CUALQUIER MOTIVO:

Si tiene una consulta o algún inconveniente con su producto Black & Decker, visite
[HTTP://WWW.BLACKANDDECKER.COM/INSTANTANSWERS](http://www.BLACKANDDECKER.COM/INSTANTANSWERS)
para obtener respuestas instantáneas las 24 horas del día.

Si no encuentra la respuesta o no tiene acceso a Internet, llame al 1-800-544-6986 de
lunes a viernes de 8 a.m. a 5 p.m. hora del Este para hablar con un agente.
Cuando llame, tenga a mano el número de catálogo.

CONSERVE ESTE MANUAL PARA FUTURAS CONSULTAS.

PAUTAS DE SEGURIDAD/DEFINICIONES

Es importante que lea y comprenda este manual. La información que contiene se relaciona con la protección de SU SEGURIDAD y la PREVENCIÓN DE PROBLEMAS. Los símbolos que siguen se utilizan para ayudarlo a reconocer esta información.

⚠ PELIGRO: indica una situación de peligro inminente que, si no se evita, provocará la muerte o lesiones graves.

⚠ ADVERTENCIA: indica una situación de peligro potencial que, si no se evita, provocará la muerte o lesiones graves.

⚠ PRECAUCIÓN: indica una situación de peligro potencial que, si no se evita, provocará lesiones leves o moderadas.

PRECAUCIÓN: utilizado sin el símbolo de alerta de seguridad indica una situación de peligro potencial que, si no se evita, puede provocar daños en la propiedad.

Advertencias generales de seguridad para herramientas eléctricas

⚠ ADVERTENCIA: Lea todas las advertencias de seguridad e instrucciones. El incumplimiento de las advertencias e instrucciones puede provocar descargas eléctricas, incendios o lesiones graves.

Conserve todas las advertencias e instrucciones para futuras consultas.

El término "herramienta eléctrica" incluido en las advertencias hace referencia a las herramientas eléctricas operadas con corriente (con cable eléctrico) o a las herramientas eléctricas operadas con baterías (inalámbricas).

1) Seguridad en el área de trabajo

- a) **Mantenga el área de trabajo limpia y bien iluminada.** *Las áreas abarrotadas y oscuras propician accidentes.*
- b) **No opere herramientas eléctricas en atmósferas explosivas, como ambientes donde se encuentran líquidos, gases o polvo inflamables.** *Las herramientas eléctricas originan chispas que pueden encender el polvo o los vapores.*
- c) **Mantenga a los niños y espectadores alejados de la herramienta eléctrica en funcionamiento.** *Las distracciones pueden provocar la pérdida de control.*

2) Seguridad eléctrica

- a) **Los enchufes de la herramienta eléctrica deben adaptarse al tomacorriente. Nunca modifique el enchufe de ninguna manera. No utilice ningún enchufe adaptador con herramientas eléctricas con conexión a tierra.** *Los enchufes no modificados y que se adaptan a los tomacorrientes reducirán el riesgo de descarga eléctrica.*
- b) **Evite el contacto corporal con superficies puestas a tierra, como por ejemplo tuberías, radiadores, rangos y refrigeradores.** *Existe mayor riesgo de descarga eléctrica si su cuerpo está puesto a tierra.*
- c) **No exponga las herramientas eléctricas a la lluvia o a condiciones de humedad.** *Si ingresa agua a una herramienta eléctrica, aumentará el riesgo de descarga eléctrica.*
- d) **No maltrate al cable. Nunca utilice el cable para transportar, tirar o desenchufar la herramienta eléctrica. Mantenga el cable lejos del calor, aceite, bordes afilados o piezas móviles.** *Los cables dañados o enredados aumentan el riesgo de descarga eléctrica.*
- e) **Al operar una herramienta eléctrica en el exterior, utilice un cable prolongador adecuado para tal uso.** *Utilice un cable adecuado para uso en exteriores a fin de reducir el riesgo de descarga eléctrica.*
- f) **Si el uso de una herramienta eléctrica en un lugar húmedo es imposible de evitar, utilice un suministro protegido con un interruptor de circuito por falla a tierra (GFCI).** *El uso de un GFCI reduce el riesgo de descargas eléctricas.*

3) Seguridad personal

- a) **Permanezca alerta, controle lo que está haciendo y utilice el sentido común cuando emplee una herramienta eléctrica.** *No utilice una herramienta eléctrica si está cansado o bajo el efecto de drogas, alcohol o medicamentos. Un momento de descuido mientras se opera una herramienta eléctrica puede provocar lesiones personales graves.*

- b) **Utilice equipos de protección personal. Siempre utilice protección para los ojos.** *En las condiciones adecuadas, el uso de equipos de protección, como máscaras para polvo, calzado de seguridad antideslizante, cascos o protección auditiva, reducirá las lesiones personales.*
 - c) **Evite el encendido por accidente. Asegúrese de que el interruptor esté en la posición de apagado antes de conectarlo a la fuente de energía o paquete de baterías, o antes de levantar o transportar la herramienta.** *Transportar herramientas eléctricas con el dedo apoyado en el interruptor o enchufar herramientas eléctricas con el interruptor en la posición de encendido puede propiciar accidentes.*
 - d) **Retire las clavijas de ajuste o llaves de tuercas antes de encender la herramienta eléctrica.** *Una llave de tuercas o una clavija de ajuste que se deje conectada a una pieza giratoria de la herramienta eléctrica pueden provocar lesiones personales.*
 - e) **No se estire. Conserve el equilibrio adecuado y manténgase parado correctamente en todo momento.** *Esto permite un mejor control de la herramienta eléctrica en situaciones inesperadas.*
 - f) **Use la vestimenta adecuada. No use ropas holgadas ni joyas. Mantenga el cabello, la ropa y los guantes alejados de las piezas en movimiento.** *Las ropas holgadas, las joyas o el cabello largo pueden quedar atrapados en las piezas en movimiento.*
 - g) **Si se suministran dispositivos para la conexión de accesorios con fines de recolección y extracción de polvo, asegúrese de que estén conectados y que se utilicen correctamente.** *El uso de dispositivos de recolección de polvo puede reducir los peligros relacionados con el polvo.*
- 4) Uso y mantenimiento de la herramienta eléctrica**
- a) **No fuerce la herramienta eléctrica. Utilice la herramienta eléctrica correcta para el trabajo que realizará.** *La herramienta eléctrica correcta hará el trabajo mejor y más seguro a la velocidad para la que fue diseñada.*
 - b) **No utilice la herramienta eléctrica si no puede encenderla o apagarla con el interruptor.** *Toda herramienta eléctrica que no puede ser controlada mediante el interruptor es peligrosa y debe ser reparada.*
 - c) **Desconecte el enchufe de la fuente de energía y/o el paquete de baterías de la herramienta eléctrica antes de realizar ajustes, cambiar accesorios o almacenar herramientas eléctricas.** *Estas medidas de seguridad preventivas reducen el riesgo de encender la herramienta eléctrica en forma accidental.*
 - d) **Guarde las herramientas eléctricas que no están en uso fuera del alcance de los niños y no permite que otras personas no familiarizadas con ella o con estas instrucciones operen la herramienta.** *Las herramientas eléctricas son peligrosas en las manos de usuarios no entrenados.*
 - e) **Mantenimiento de las herramientas eléctricas. Controle que no haya piezas móviles mal alineadas o trabadas, piezas rotas y toda otra situación que pueda afectar el funcionamiento de las herramientas eléctricas. Si encuentra daños, haga reparar la herramienta eléctrica antes de utilizarla.** *Se producen muchos accidentes a causa de las herramientas eléctricas que carecen de un mantenimiento adecuado.*
 - f) **Mantenga las herramientas de corte afiladas y limpias.** *Las herramientas de corte con mantenimiento adecuado, con los bordes de corte afilados son menos propensas a trabarse y son más fáciles de controlar.*
 - g) **Utilice la herramienta eléctrica, los accesorios y las brocas de la herramienta, etc. de acuerdo con estas instrucciones y teniendo en cuenta las condiciones de trabajo y el trabajo que debe realizarse.** *El uso de la herramienta eléctrica para operaciones diferentes de aquéllas para las que fue diseñada podría originar una situación peligrosa.*
- 5) Mantenimiento**
- a) **Haga que una persona de reparaciones calificada realice el mantenimiento de su herramienta eléctrica y utilice piezas de repuesto idénticas solamente.** *Esto garantizará la seguridad de la herramienta eléctrica.*

NORMAS ESPECÍFICAS DE SEGURIDAD

- **Sujete la herramienta eléctrica por las superficies aislantes cuando realice una operación en que la herramienta pueda hacer contacto con cableados ocultos.** *Al hacer contacto con un cable "vivo", las partes metálicas de la herramienta se vuelven "vivas" y pueden originar un choque al operador.*
- **Utilice abrazaderas u otra forma práctica para asegurar y sostener la pieza de trabajo sobre una plataforma estable.** *Sostener el trabajo con la mano o contra el cuerpo no brinda la estabilidad requerida y puede llevar a la pérdida del control.*
- **Utilice protectores auditivos con los taladros de impacto.** *La exposición al ruido puede ocasionar la pérdida de la audición.*
- **Use los mangos auxiliares que se suministran con la herramienta.** *La pérdida del control podría ocasionar lesiones personales.*
- **Mantenga el cabello, la ropa y los guantes alejados de los orificios de ventilación.** *Los orificios de ventilación suelen cubrir piezas móviles donde estos elementos se pueden enganchar.*
- **Sostenga la herramienta firmemente con ambas manos (Fig. A).** *La pérdida del control podría ocasionar lesiones personales.*

⚠ ADVERTENCIA: El polvo creado al lijar, aserrar, pulir, taladrar o realizar otras actividades de la construcción, contiene sustancias químicas que se sabe producen cáncer, defectos de nacimiento u otros defectos del sistema reproductor. Algunos ejemplos de esos productos químicos son:

- El plomo de las pinturas a base de plomo,
- La sílice cristalina de los ladrillos, del cemento y de otros productos de albañilería, y
- El arsénico y el cromo de la madera tratada químicamente (CCA).

El riesgo que se corre a causa del contacto con esos productos varía según la frecuencia con que usted realice este tipo de trabajos. Con el fin de reducir su exposición a esas sustancias químicas, trabaje en un área bien ventilada y utilice un equipo de seguridad reglamentario, tal como una máscara contra el polvo especialmente diseñada para filtrar partículas microscópicas.

- **Evite el contacto prolongado con el polvo proveniente del lijado, aserrado, amolado y taladrado eléctrico y otras actividades de construcción. Use vestimenta protectora y lave todas las áreas expuestas con agua y jabón.** De entrar polvo en sus ojos, boca, o que este permanezca sobre su piel puede promover la absorción de químicos dañinos.

⚠ ADVERTENCIA: El uso de esta herramienta puede generar y/o dispersar el polvo, el cual puede ocasionar lesión respiratoria u otro tipo de lesión grave y permanente. Utilice siempre protección respiratoria NIOSH/OSHA apropiada para la exposición al polvo. Dirija las partículas lejos de su cara o su cuerpo.

⚠ ADVERTENCIA: USE SIEMPRE LENTES DE SEGURIDAD. Los anteojos de uso diario NO son lentes de seguridad. Utilice también máscaras faciales o para polvo si el corte produce polvillo. UTILICE SIEMPRE EQUIPOS DE SEGURIDAD CERTIFICADOS:

- Protección para los ojos según la norma ANSI Z87.1 (CAN/CSA Z94.3)
- Protección auditiva según la norma ANSI S12.6 (S3.19)
- Protección respiratoria según las normas NIOSH/OSHA/MSHA

⚠ ADVERTENCIA: Durante el uso, use siempre protección auditiva adecuada que cumpla con la norma ANSI S12.6 (S3.19). Bajo ciertas circunstancias y según el período de uso, el ruido producido por este producto puede contribuir a la pérdida de audición.

La etiqueta de su herramienta puede incluir los siguientes símbolos.

- | | |
|--|---|
| V..... voltios | A..... amperios |
| Hz..... hertz | W..... vatios |
| min..... minutos | ~ corriente alterna |
| === corriente directa | n ₀ no velocidad sin carga |
| Ⓜ Construcción Clase I
(mis à la terre) | Ⓧ terminal a tierra |
| Ⓜ Construcción de clase II | ⚠ simbolo de alerta |
| .../minrevoluciones o minuto seguridad | gpmgolpes por minuto |
| 📖Lea el manual de instrucciones antes del uso | |
| 👤Use protección adecuada para las vías respiratorias | |
| 👁Use protección adecuada para los ojos | |
| 👂Use protección adecuada para los oídos | |

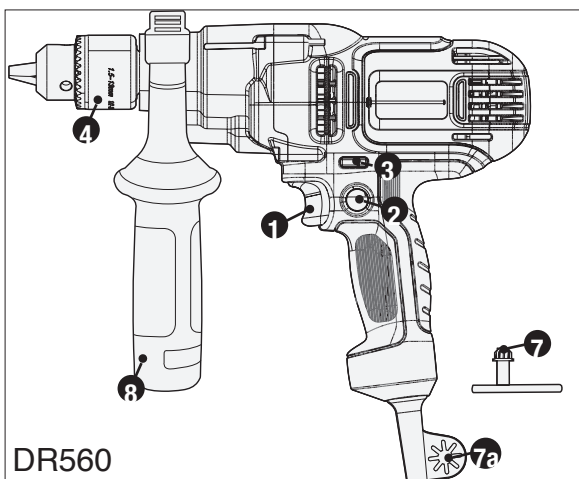
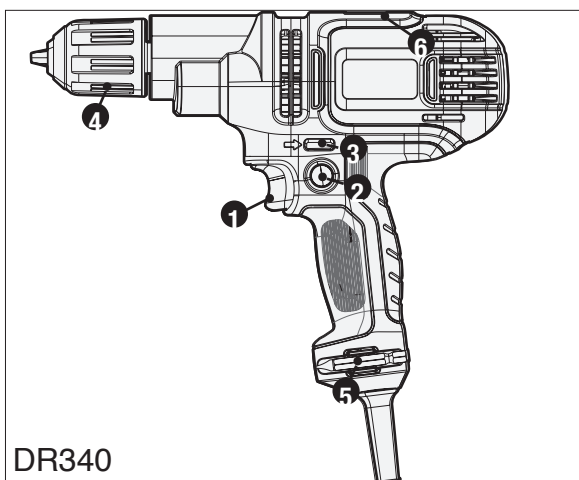
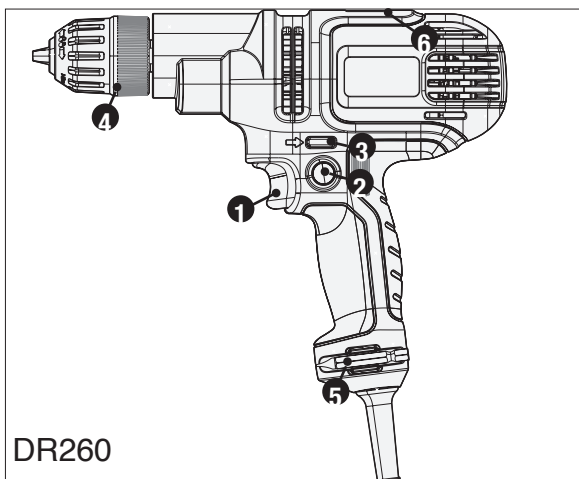
Cables prolongadores

Utilice un cable adecuado para uso en exteriores a fin de reducir el riesgo de descarga eléctrica. Cuando utilice un cable prolongador, asegúrese de que tenga la capacidad para conducir la corriente que su producto exige. Un cable de menor capacidad provocará una disminución en el voltaje de la línea que producirá pérdida de potencia y sobrecalentamiento. La siguiente tabla muestra la medida correcta que debe utilizar según la longitud del cable y la capacidad nominal en amperios indicada en la placa. En caso de duda, utilice el calibre inmediatamente superior. Cuanto menor es el número de calibre, más grueso es el cable.

Volts	Calibre mínimo para cables de extensión			
	Longitud total del cable en pies			
120V	0-25	26-50	51-100	101-150
	(0-7,6m)	(7,6-15,2m)	(15,2-30,4m)	(30,4-45,7m)
240V	0-50	51-100	101-200	201-300
	(0-15,2m)	(15,2-30,4m)	(30,4-60,9m)	(60,9-91,4m)
Amperaje		American Wire Gage		
Más de	No más de			
0 - 6	18	16	16	14
6 - 10	18	16	14	12
10 - 12	16	16	14	12
12 - 16	14	12	No se recomienda	

DESCRIPCIÓN DE LAS FUNCIONES

1. Interruptor de velocidad variable
2. Botón de bloqueo
3. Interruptor deslizable de avance/reversa
4. Interruptor deslizable de avance/reversa
5. Almacenamiento de brocas
6. Nivel de burbuja (DR260, DR340)
7. Llave de portabrocas (DR560)
- 7a. Sujetador para llave de portabrocas (DR560)
8. Mango lateral (DR560)

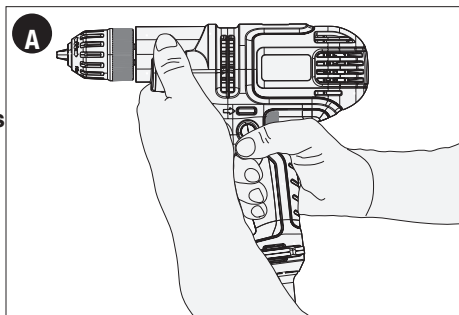


⚠ Instrucciones y advertencias de seguridad: Taladros

⚠ **ADVERTENCIA: Riesgo de descarga eléctrica.** Cuando perforo o atornille en paredes, pisos o lugares en los que puede haber cables eléctricos con corriente, **NO TOQUE LAS PARTES METÁLICAS DE LA HERRAMIENTA.** Sujete la herramienta sólo mediante los mangos de plástico para evitar descargas eléctricas.

- Cuando taladre manualmente, no bloquee la herramienta en la posición ON (de encendido). Consulte sobre encendido y apagado en las instrucciones de operación.
- **Sostenga el taladro firmemente con ambas manos para controlar su torsión (fig. A).** Si su equipo está equipado con un mango lateral, úselo siempre.

- ⚠ **ADVERTENCIA:** El taladro se puede atascar (si se sobrecarga o se usa inadecuadamente) y provocar una torsión. Siempre espere el atascamiento. Sujete el taladro con firmeza para controlar la torsión y evitar la pérdida de control que podría ocasionar lesiones personales. En caso de que la herramienta se atasque, suelte el disparador inmediatamente y determine la causa del atascamiento antes de encenderla nuevamente.
- Cuando acople o retire accesorios del taladro, desenchúfelo siempre. Es importante que cuando acople accesorios al portabrocas del taladro asegure con firmeza el portabrocas mediante los tres orificios para evitar el deslizamiento de la broca. Cuando use un portabrocas sin llave, asegure manualmente con firmeza.



Motor

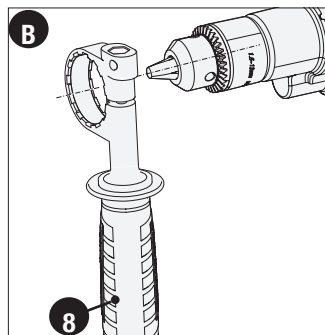
Asegúrese de que el suministro de energía concuerde con lo marcado en la placa. CA de 120 voltios solamente significa que su herramienta funcionará con energía doméstica estándar de 60 Hz. No haga funcionar herramientas para corriente alterna (CA) con corriente directa (CD). Una capacidad nominal de CA/CD de 120 voltios significa que su herramienta funcionará con energía estándar de CA o CD de 60 Hz. Esta información está impresa en la placa. Un voltaje menor producirá pérdida de potencia y puede provocar sobrecalentamiento. Todas las herramientas Black & Decker se prueban en fábrica. Si esta herramienta no funciona, revise el suministro eléctrico.

Ensamblaje

⚠ **ADVERTENCIA:** Para reducir el riesgo de lesión antes de ensamblar, asegúrese de que la herramienta esté apagada y desenchufada.

Acoplamiento del mango lateral - DR560 (fig. B)

- Si su taladro está equipado con un mango lateral, se debe instalar adecuadamente para asegurar el control del taladro.
- Gire la agarradera en sentido contrario a las agujas del reloj hasta que pueda deslizarse el mango lateral (8) en la parte delantera de la herramienta según se muestra.
- Rote el mango lateral a la posición deseada.
- Para ajustar el mango lateral, gire la agarradera en el sentido de las agujas del reloj.



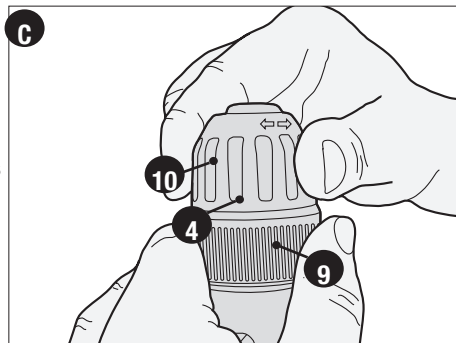
Inserción de una broca u otro accesorio (figuras C y D)

⚠ **ADVERTENCIA:** No tome la parte delantera del portabrocas y encienda la herramienta para ajustar las brocas (o cualquier otro accesorio). Cuando se cambian los accesorios, se pueden provocar daños al portabrocas y daños personales.

⚠ **ADVERTENCIA:** Siempre asegúrese de que la broca esté fija antes de poner en funcionamiento la herramienta. Una broca floja puede ser expulsada de la herramienta y ocasionar lesiones personales.

Portabrocas sin llave (DR260) (fig. C)

- Abra el portabrocas (4) sujetando la mitad posterior (9) con una mano y use la otra mano para girar el manguito delantero (10) hacia la izquierda visto desde el extremo del portabrocas.
- Introduzca el eje del accesorio en el portabrocas aproximadamente a 19 mm (3/4 pulg.) de profundidad, centrado en las mordazas.
- Para asegurar el accesorio con firmeza, sostenga la mitad posterior del portabrocas y gire el manguito frontal en el sentido de las agujas del reloj visto desde el extremo del portabrocas.



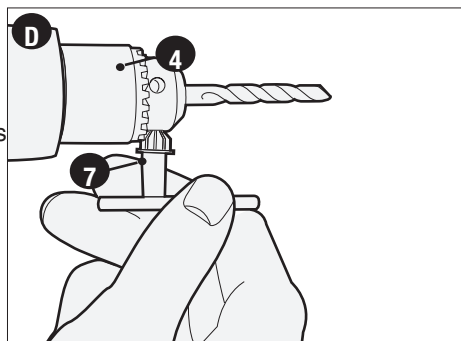
Portabrocas sin llave con manguito único (DR340)

Esta herramienta está equipada con un mecanismo que bloquea el eje cuando la herramienta no está en funcionamiento. Este mecanismo es una condición normal que permite ajustar o aflojar el portabrocas con una sola mano mientras se sostiene el taladro con la otra.

- Para cambiar accesorios, afloje el portabrocas girando el manguito hacia la izquierda visto desde el extremo del portabrocas.
- Inserte el eje para accesorios dentro del portabrocas a alrededor de 19 mm (3/4 pulgada) de profundidad, centrado en las mordazas.
- Ajústelo firmemente girando el manguito hacia la derecha visto desde el extremo del portabrocas.

Portabrocas y llave (DR560) (fig. D)

- Para abrir el portabrocas (4), gire el anillo en sentido contrario a las agujas del reloj (visto desde el extremo del portabrocas).
- Introduzca el eje del accesorio en el portabrocas aproximadamente a 19 mm (3/4 pulg.) de profundidad, centrado en las mordazas.
- Ajuste el anillo del portabrocas en forma manual. Coloque la llave del portabrocas (7) en cada uno de los tres orificios y ajuste con firmeza en el sentido de las agujas del reloj.

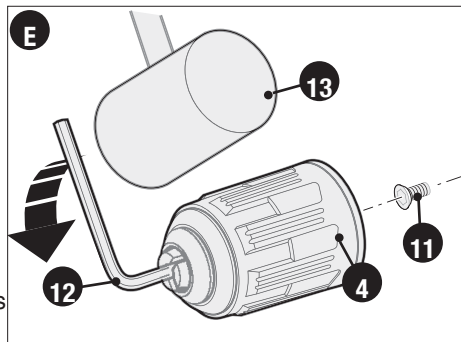


NOTA: Ajuste el portabrocas en los tres orificios para evitar el deslizamiento de la broca.

Acoplamiento y extracción del portabrocas (fig. E)

Portabrocas sin llave (DR260, DR340)

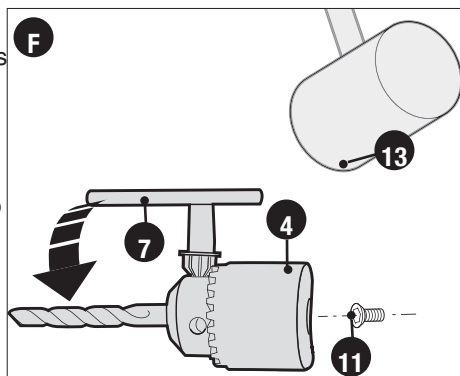
- Abra el portabrocas (4) tanto como sea posible.
- Para quitar el tornillo de fijación para portabrocas (11), ubicado en el portabrocas, gírelo en el sentido de las agujas del reloj con un destornillador (rosca hacia la izquierda).
- Ajuste una llave Allen (12) de 6,35 mm (1/4 pulg.) o de un tamaño mayor (no suministrada) en el portabrocas y golpéela con un martillo liviano (13) en el sentido de las agujas del reloj según se muestra.



- Retire la llave Allen.
- Para retirar el portabrocas, gírelo en sentido contrario a las agujas del reloj.
- Para acoplar el portabrocas, atorníllelo en el eje y asegúrelo con un tornillo de fijación para portabrocas.

Portabrocas con llave (DR560) (fig. F)

- Coloque la llave de portabrocas (7) en cualquiera de los tres agujeros del portabrocas (4).
- Con un martillo liviano (13), golpee la llave en el sentido de las agujas del reloj. Esto aflojará el tornillo (11) dentro del portabrocas.
- Para quitar el tornillo de fijación ubicado en el portabrocas, abra el portabrocas por completo y gire el tornillo en el sentido de las agujas del reloj con un destornillador (rosca hacia la izquierda).
- Coloque la llave en el portabrocas. Con un martillo liviano (13), golpee con fuerza la llave en sentido contrario a las agujas del reloj.
- Para retirar el portabrocas, gírelo en sentido contrario a las agujas del reloj.
- Para acoplar el portabrocas, atorníllelo en el eje y asegúrelo con un tornillo de fijación para portabrocas.



Instrucciones de operación

- ⚠ **ADVERTENCIA:** Para reducir el riesgo de lesiones personales graves, lea, comprenda y siga todas las instrucciones y las advertencias de seguridad antes de usar la herramienta.
- ⚠ **ADVERTENCIA:** Es importante apoyar bien la pieza sobre la que se trabaja y sostener el taladro firmemente para evitar la pérdida de control, que podría provocar lesiones personales. Si tiene dudas acerca de cómo hacer funcionar adecuadamente la herramienta, llame al: 1-800-544-6986.
- ⚠ **ADVERTENCIA:** No tome la parte delantera del portabrocas y encienda la herramienta para ajustar las brocas (o cualquier otro accesorio). Cuando se cambian los accesorios, se pueden provocar daños al portabrocas y daños personales.
- ⚠ **ADVERTENCIA:** Antes de realizar ajustes o cambiar accesorios, desenchufe siempre el taladro de la fuente de energía para reducir el riesgo de lesiones.
- ⚠ **ADVERTENCIA:** Para reducir el riesgo de lesiones, permita que la herramienta trabaje a su propio ritmo. No la sobrecargue.

Selección de la dirección de rotación

- Para taladrar y ajustar tornillos, aplique la dirección de avance (rotación en el sentido de las agujas del reloj). Para aflojar tornillos y retirar una broca atascada, aplique la dirección reversa (rotación en sentido contrario a las agujas del reloj).
- ⚠ **ADVERTENCIA:** Nunca cambie la dirección de rotación con el motor en funcionamiento.

Modelos DR260, DR340

- Para seleccionar la rotación de avance, empuje el interruptor deslizante de avance y reversa (3) hacia la derecha (visto desde el extremo del portabrocas).
- Para seleccionar la rotación reversa, empuje el interruptor deslizante de avance y reversa (3) hacia la izquierda (visto desde el extremo del portabrocas).

Modelo DR560

- Para seleccionar la rotación de avance, empuje el interruptor deslizante de avance/reversa (3) hacia la izquierda (visto desde el extremo del portabrocas).
- Para seleccionar la rotación de reversa, empuje el interruptor deslizante de avance/reversa (3) hacia la derecha (visto desde el extremo del portabrocas).

Encendido y apagado

- Para encender la herramienta, presione el interruptor de velocidad variable (1). La velocidad de la herramienta depende de cuánto presione el interruptor.
- Para que la herramienta funcione en forma continua, oprima el botón de bloqueo (2) y

suelte el interruptor de velocidad variable. Esta opción sólo está disponible cuando se opera a máxima velocidad.

- Para apagar la herramienta, suelte el interruptor de velocidad variable. Para apagar la herramienta cuando está en funcionamiento continuo, oprima una vez más el interruptor de velocidad variable y suéltelo.

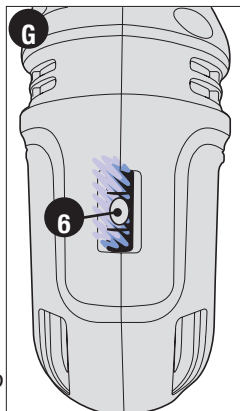
⚠ **ADVERTENCIA:** El taladro sólo puede ser bloqueado en la posición ON (de encendido) cuando está fijo en una base con prensa para taladro o algún otro dispositivo; **NUNCA CUANDO SE SOSTIENE CON LAS MANOS.** Nunca desenchufe la herramienta con el mecanismo de bloqueo activado. De hacerlo, la herramienta arrancará de inmediato la próxima vez que se la enchufe.

Nivel incorporado (DR260, DR340)

El taladro está equipado con un nivel de burbuja que le ayuda a taladrar agujeros a nivel.

- Para un taladrado horizontal, incline el taladro hacia arriba o hacia abajo según se requiera de manera que la burbuja flote en el centro de las líneas paralelas marcadas en el vidrio.
- Cuando la burbuja (6) esté centrada entre las líneas, como se muestra en la **Figura G**, el taladro está a nivel.
- Para asegurar la precisión, primero coloque un nivel sobre la pieza de trabajo y ubíquelo de manera que esté a nivel. Luego, cuando el taladro lea a nivel, ambos estarán alineados. (Cualquier nivel de burbuja sólo puede indicar el nivel en relación a la tierra).

NOTA: El nivel está relleno con aceite mineral que puede provocar una leve irritación cuando entra en contacto con la piel o los ojos. Si el nivel se rompe y este líquido entra en contacto con su piel, enjuáguese minuciosamente con agua. Si algo de líquido entra en contacto con sus ojos, enjuáguese minuciosamente con agua y llame a un médico de inmediato.



Taladrado

- Cuando acople o retire accesorios del taladro, desenchúfelo siempre. Es importante que cuando acople accesorios al portabrocas del taladro asegure con firmeza el portabrocas mediante los tres orificios para evitar el deslizamiento de la broca. Cuando use un portabrocas sin llave, asegure manualmente con firmeza.
- Use solamente brocas para taladro afiladas.
- Sostenga y asegure el trabajo adecuadamente, según se indica en las instrucciones de seguridad.
- Utilice equipos de seguridad adecuados y necesarios, como se indica en las instrucciones de seguridad.
- Asegure y mantenga el área de trabajo, según se indica en las instrucciones de seguridad.
- Haga funcionar el taladro muy lentamente, con poca presión, hasta que el orificio producido sea tal que contenga la broca y evite que se deslice del mismo.
- Aplique presión en línea recta con la broca. Utilice presión suficiente para mantener la broca funcionando, pero no tanto como para ahogar el motor o ladear la broca.
- **Sostenga firmemente el taladro con las dos manos para controlar la torsión (Fig. A).**
- Enchufe el taladro. Asegúrese de que el interruptor encienda y apague el taladro.
- **SI EL TALADRO SE ATASCÓ, NO INSISTA EN MOVER EL DISPARADOR DE ENCENDIDO Y APAGADO DEL TALADRO. ESTO PODRÍA DAÑAR EL TALADRO.**
- Para minimizar las posibilidades de atascamiento durante una perforación, disminuya la presión y taladre lentamente hasta la última parte del orificio.
- Mantenga el motor en funcionamiento mientras retira la broca de un orificio taladrado. Esto ayudará a reducir atascamientos.

Taladrado en madera

Los orificios en madera se pueden realizar con las mismas brocas de taladro helicoidales que se usan para los metales o con brocas de pala. Estas brocas deben estar afiladas y se deben retirar con frecuencia mientras se taladra para limpiar las virutas de las ranuras.

Taladrado en metal

Utilice un lubricante de corte cuando taladre metales. Las excepciones son el bronce y el hierro fundido que deben taladrarse en seco. Los lubricantes de corte que funcionan mejor son el aceite de corte sulfurizado o el aceite de grasa de cerdo.

DETECCIÓN DE PROBLEMAS

Problema	Causa posible	Solución posible
• La unidad no enciende. repetidamente que el	• Cable desenchufado. • El interruptor deslizable de avance y reversa no está en la posición deseada. • Fusible quemado.	• Enchufe la herramienta en un tomacorriente que funcione. • Presione el interruptor deslizable de avance y reversa por completo hacia la izquierda o hacia la derecha. • Reemplace el fusible quemado. (Si el producto hace fusible del circuito se queme, deje de utilizarlo inmediatamente y haga que le realicen mantenimiento en un centro de mantenimiento Black & Decker o en un centro de servicio autorizado.)
	• El interruptor automático está activado.	• Reinicie el interruptor automático. (Si repetidamente el producto hace que el fusible del circuito se active, deje de utilizarlo inmediatamente y haga que le realicen mantenimiento en un centro de mantenimiento Black & Decker o en un centro de servicio
interruptor en un	• El interruptor o el cable está dañado.	• Haga que reemplacen el cable o el centro de mantenimiento Black & Decker o en un centro de mantenimiento autorizado.

Solamente para Propósitos de México

Para conocer la ubicación del centro de servicio más cercano a fin de recibir ayuda con su producto, visite nuestro sitio Web www.blackanddecker.com.mx o llame a la línea de ayuda BLACK & DECKER al 01 800 847 2309/01 800 847 2312.

MANTENIMIENTO

Utilice únicamente jabón suave y un trapo húmedo para limpiar la herramienta. Nunca permita que se introduzcan líquidos en la herramienta; nunca sumerja ninguna parte de la herramienta en ningún líquido. **IMPORTANTE:** Para garantizar la SEGURIDAD y la CONFIABILIDAD del producto, las reparaciones, el mantenimiento y los ajustes deberán efectuarse en centros de servicio autorizados u otras organizaciones de servicio calificados, que utilicen siempre refacciones idénticas.

ACCESORIOS

Los accesorios que se recomiendan para la herramienta están disponibles en su distribuidor local o en el centro de servicio autorizado. Si necesita ayuda con respecto a los accesorios, llame al: **1-800-544-6986**.

⚠️ ADVERTENCIA: El uso de accesorios no recomendados para utilizar con esta herramienta puede resultar peligroso.

INFORMACIÓN DE MANTENIMIENTO

Todos los Centros de servicio de Black & Decker cuentan con personal altamente capacitado dispuesto a brindar a todos los clientes un servicio eficiente y confiable en la reparación de herramientas eléctricas. Si necesita consejo técnico, reparaciones o piezas de repuesto originales de fábrica, póngase en contacto con el centro de servicio de Black & Decker más cercano a su domicilio. Para ubicar su centro de servicio local, consulte la sección "Herramientas eléctricas" (Tools-Electric) de las páginas amarillas, llame al **1-800-544-6986** o visite nuestro sitio **www.blackanddecker.com**.

GARANTÍA COMPLETA DE DOS AÑOS PARA USO EN EL HOGAR

Black & Decker (Estados Unidos) Inc. ofrece una garantía de dos años por cualquier defecto del material o de fabricación de este producto. El producto defectuoso se reparará o reemplazará sin costo alguno de dos maneras.

La primera opción, el reemplazo, es devolver el producto al comercio donde se adquirió (siempre y cuando se trate de un comercio participante). Las devoluciones deben realizarse conforme a la política de devolución del comercio (generalmente, entre 30 y 90 días posteriores a la venta). Le pueden solicitar comprobante de compra. Consulte en el comercio acerca de la política especial sobre devoluciones una vez excedido el plazo establecido.

La segunda opción es llevar o enviar el producto (con flete pago) a un Centro de servicio propio o autorizado de Black & Decker para su reparación o reemplazo según nuestro criterio. Le pueden solicitar el comprobante de compra. Los Centros de servicio autorizados y de propiedad de Black & Decker se detallan en la sección

"Herramientas eléctricas" (Tools-Electric) de las páginas amarillas de la guía telefónica.

Esta garantía no se extiende a los accesorios. Esta garantía le concede derechos legales específicos; usted puede tener otros derechos que pueden variar según el estado o la provincia. Si tiene alguna pregunta, comuníquese con el gerente del Centro de servicio de Black & Decker de su zona. Este producto no está diseñado para uso comercial.

AMÉRICA LATINA: esta garantía no se aplica a los productos que se venden en América Latina. Para los productos que se venden en América Latina, debe consultar la información de la garantía específica del país que viene en el empaque, llamar a la compañía local o visitar el sitio Web a fin de obtener esa información.

CAPACIDADES MÁXIMAS RECOMENDADAS

N° de catálogo	Tipo	Acero	Madera blanda	Madera dura	Mampostería
DR260	Taladro de 10 mm (3/8 pulg.)	Broca helicoidal de 9,5 mm (3/8 pulg.)	31,7 mm (1-1/4 pulg.)	25,4 mm (1 pulg.)	N/C
DR340	Taladro de 10 mm (3/8 pulg.)	Broca helicoidal de 9,5 mm (3/8 pulg.)	31,7 mm (1-1/4 pulg.)	25,4 mm (1 pulg.)	N/C
DR560	Taladro de 12,7 mm (1/2 pulg.)	Broca helicoidal de 12,7 mm (1/2 pulg.)	38,1 mm (1-1/2 pulg.)	31,7 mm (1 1/4 pulg.)	N/C

**· GARANTÍA BLACK & DECKER · BLACK & DECKER WARRANTY
· SOLAMENTE PARA PROPOSITOS DE MEXICO**

Distributor Name · *Sello firma del distribuidor*

Date of purchase · *Fecha de compra*

Invoice No. · No. de factura

PRODUCT INFORMATION · IDENTIFICACIÓN DEL PRODUCTO

Cat. No. · *Catalogo ó Modelo*

Serial Number · No. de serie

Name · *Nombre*

Last Name · Apellido

Address · *Dirección*

City · *Ciudad*

State · Estado

Postal Code · *Código Postal*

Country · País

Telephone · *No. Teléfono*

2 AÑOS DE GARANTIA

Este producto cuenta con dos años de garantía a partir de la fecha de compra contra cualquier defecto de su funcionamiento, así como cualquier falla debido a materiales empleados para su fabricación ó mano de obra defectuosa.

Nuestra garantía incluye la reparación o reposición del producto y/o componentes sin cargo alguno para el cliente incluyendo la mano de obra, esta incluye los gastos de trasportación erogados para lograr cumplimiento de esta garantía en los domicilios diversos señalados.

Para hacer efectiva esta garantía deberá presentar su herramienta y esta póliza sellada por el establecimiento comercial donde se adquirió el producto.

Nos comprometemos a entregar el producto en un lapso no mayor a 30 días hábiles contados a partir de la fecha de recepción del mismo en nuestros talleres de servicio autorizados.

ESTA GARANTIA NO APLICA CUANDO:

El producto se hubiese utilizado en condiciones distintas a las normales.

El producto no hubiese sido operado de acuerdo con el instructivo de uso que se acompaña.

El producto hubiese sido alterado o reparado por personas no autorizadas por nosotros.

Importador: Black & Decker S.A. de .C.V
Bosque de Cidros Acceso Radiatas No.42
3ra.Seccion de Bosques de las lomas
C.P.05120, Mexico, D.F. Tel: (01 55) 5326 7100

SOLAMENTE PARA PROPOSITOS DE MEXICO

Grupo Realsa en herramientas, S.A. de C.V.

Súper Manzana 69 MZ.01 Lote 30
(Av. Torcasita)
Col. Puerto Juárez
Cancún, Quintana Roo
Tel. 01 998 884 72 27

Ferre Pat de Puebla, S.A. de C.V.

16 de Septiembre No. 6149
Col. El Cerrito
Puebla, Puebla
Tel. 01 222 264 12 12

Ferre Pat de Puebla, S.A. de C.V.

Ejército Mexicano No. 15
Col. Ejido 1ro. de Mayo
Boca del Rio, Veracruz
Tel. 01 229 167 89 89

Servicio de Fabrica Black & Decker, S.A. de C.V.

Lázaro Cardenas No. 18
Col. Obrera
Distrito Federal
Tel. 55 88 95 02

Representaciones Industriales Robles, S.A. de C.V.

Tezozomoc No. 89
Col. La Preciosa
Distrito Federal
Tel. 55 61 86 82

Gpo. Comercial de Htas. y Refacciones de Occidente, S.A. de C.V.

Av. La Paz No. 1779
Col. Americana, S. Juárez
Guadalajara, Jalisco
Tel. 01 33 38 25 69 78

Herramientas y Equipos Profesionales

Av. Colón 2915 Ote.
Col. Francisco I. Madero
Monterrey, Nvo. León
Tel. 01 81 83 54 60 06

Htas. Portátiles de Chihuahua, S.A. de C.V.

Av. Universidad No. 2903
Col. Fracc. Universidad
Chihuahua, Chihuahua
Tel. 01 614 413 64 04

Fernando González Armenta

Bolivia No. 605
Col. Felipe Carrillo Puerto
Cd. Madero, Tampico
Tel. 01 833 221 34 50

Perfiles y Herramientas de Morelia

Gertrudis Bocanegra No. 898
Col. Ventura Puente
Morelia, Michoacán
Tel. 01 443 313 85 50

Enrique Robles

Av. de la Solidaridad No. 12713
Col. La Pradera
Irapuato, Guanajuato
Tel. 01 462 626 67 39

Hernández Martínez Jeanette

Prolongación Corregidora Nte. No. 1104
Col. Arboledas
Queretaro, Qro.
Tel. 01 442 245 25 80

**Vea "Herramientas
eléctricas (Tools-Electric)"
- Páginas amarillas -
para Servicio y ventas**



BLACK & DECKER S.A. DE C.V.
BOSQUES DE CIDROS ACCESO RADIATAS NO. 42
COL. BOSQUES DE LAS LOMAS.
05120 MÉXICO, D.F.
TEL. (01 55) 5326 7100
01 800 847 2309/01 800 847 2312

ESPECIFICACIONES

DR260

Tensión de alimentación: 120 V~ Potencia nominal: 580 W
Frecuencia de operación: 60 Hz Consumo de corriente: 5,2A

DR340

Tensión de alimentación: 120 V~ Potencia nominal: 670 W
Frecuencia de operación: 60 Hz Consumo de corriente: 6A

DR560

Tensión de alimentación: 120 V~ Potencia nominal: 781 W
Frecuencia de operación: 60 Hz Consumo de corriente: 7A